



精工锻铸

jinggongduanzhu

SAE FLANGE

SAE 法兰



嘉禾精工锻铸有限公司
JIA HE SEIKO FORGING & CASTING CO.,LTD.



公司简介

嘉禾精工锻铸有限公司地处中国锻造之乡的湖南省嘉禾县，公司成立于2006年，占地面积16000平方米，建筑面积8500平方米，总资产1500万，现有员工130余人，外销以出口欧美日市场为主，内销主要以供应国内众多大型企业如：柳工、中联重科、上海重工、鞍钢集团等，公司现设有三个车间：锻造车间、机加工车间、和表面处理车间，锻造车间：锻造车间设备有1000吨、630吨、300吨摩擦压力机标准生产线3条、机加工车间：进口高精度数控车床30台、普通车床15台、同时配备镗铣床、钻铣床、钻床、加工中心等。

公司主要生产SAE法兰、法兰接头、软管接头、等产品，共有20多个系列、200多个品种，其中SAE对开法兰月产量达20万对以上，按：SAE J518C，JB/ZQ4187-97，ISO6162，ISO6164等标准执行，产品广泛应用于工程机械、油田、冶炼、造船、矿山机械的管路上，材料以碳素钢、合金钢、不锈钢等金属材料。公司按GB/T19001-2000压力管道元件制造单位安全注册要求建立质量管理体系，对生产和服务的全过程进行管理，确保产品的品质和服务以满足顾客的需求。

精工人始终遵循质量第一、信誉至上、信守合同、产品实行三包的服务宗旨，愿与广大用户一道共赢。

Company Introduction

Jiahe Seiko Forging&Casting Co.,LTD. is located in Jiahe, Hunan province, China. The company was founded in 2006 and covers an area of 16000 square meters and a building area of 8500 square meters, with total assets of 15 million, and total staff of 130. We have many western customers and domestic customers such as Liugong Zoomlion Group, Shanghai Heavy Industries and Ansteel Group. The company now has three workshops: forging shop, machine shop and surface treatment production workshop. Forging shop is equipped with 3 standard production lines for 1000 tons, 630 tons and 300 tons of friction screw press. Machine workshop which is equipped with 30 sets of imported high-precision numerical control machine, and 15 sets of ordinary turning lathe, as well as milling, boring, grinding, processing center and other facilities.

We make about 20 series of products, such as SAE flange, transition joints, sleeves and hose connector, in which over 300 kinds of products exported to Europe and American market, and the high quality of our products is satisfied by customers. The monthly output of flange reaches more than 200,000 sets, with specification of: SAE J518C, JB/ZQ 4187-97, ISO6162, ISO6164 standards. The products are widely used in many areas, such as engineering machinery, oil field, shipbuilding, mining machinery, and piping areas. Usually, we use carbon steel, alloy steel, stainless steel as material. We have established the quality management system according to the standard of GB/T 19001-2000 and safety requirements of registered pressure piping components manufacturing. Offer effective control in the process of the production and management of the service, provision of resources, product realization and measurement analysis and improvement measures in the whole process, to ensure that our products and service completely satisfy customer requirements.

The workers in the company always follow these principles: quality first, keeping promises, abiding by contract, better and better service. Hope to get a win-win situation with all the customers.

FL/FS SAE对开法兰 SAE split flange	01	GFS-U SAE美制锥管螺纹 (NPT) 法兰 SAE NPT thread flange	26
HFL/HFS SAE对开平法兰 SAE split flange-flat stype	02	AFS-T SAE 对焊焊接法兰 SAE butt welding flange	27
VFL/VFS SAE整体法兰 SAE flange clamp	03	GFS-T SAE 对焊焊接法兰 SAE butt welding flange	28
FL-M/FS-M SAE螺纹整体法兰 SAE flange clamp with thread	04	D FSB 对焊法兰组合件 Butt weld flange coupling	29
SAE法兰焊管组合件 SAE flange welding couplings	05	AFC-S SAE 低压沉插焊法兰 SAE socket welding flange 500 psi	30
SAE法兰焊管组合件 SAE flange welding couplings	06	GFC-S SAE 低压沉插焊法兰 SAE socket welding flange 500 psi	31
A型/B型 SAE法兰焊管组合件 SAE flange welding couplings	07	AFC SAE 法兰盖 SAE closed flange	32
A型/B型 SAE法兰焊管组合件 SAE flange welding couplings	08	GFC SAE法兰盖 SAE closed flange	33
SFV SAE法兰三通 SAE flange T-block	09	GWF-L/GWF-S SAE24°内锥法兰式90°弯过渡接头 (标准型) SAE flange adapter-90°metric24°DIN3901/3902(standard series)	34
DN-A HB高压方法兰 HB pressure square flange	10	GWF-S SAE24°内锥法兰式90°弯过渡接头 (重型) SAE flange adapter-90°metric24°DIN3901/3902(high pressure series)	35
DN-B HB高压方法兰 HB pressure square flange	11	GSF-L/GSF-S SAE24°内锥法兰式过渡接头 (标准型) SAE flange adapter metric 24°DIN3901/3902(standard series)	36
DN-AB HB高压法兰组合件 HB pressure square flange Couplin	12	GSF-S SAE24°内锥法兰式过渡接头 (重型) SAE flange adapter metric 24°DIN3901/3902(high pressure series)	37
ISO 6164方形法兰系列 ISO 6164 square flange	13	AWF SAE 法兰焊管组合件 (90°弯) SAE flange welding coupling(90°)	38
FA/FK ISO 6164方形法兰系列(PN10-64 / series 0) ISO 6164 square flange(PN10-64 / series 0)	14	AFMW SAE24°内锥90°弯公制螺纹法兰 SAE elbow flange with metric 24°DIN3901/3902	39
FA/FK ISO 6164方形法兰系列(PN160 / series 2) ISO 6164 square flange(PN160 / series 2)	15	GF-LK-L 24°内锥泵油口方形法兰接头 Pump flange connection metric 24° DIN3901/3902	40
FA/FK ISO 6164方形法兰系列(PN250 / series 3) ISO 6164 square flange(PN250 / series 3)	16	WF-LK-L 24°内锥泵油口90°弯方形法兰接头 Pump flange connection-90°metric 24° DIN3901/3902	41
FA/FK ISO 6164方形法兰系列(PN320 / series 4) ISO 6164 square flange(PN320 / series 4)	17	AFW-S SAE 90°弯沉插式焊法兰 SAE socket welding flange-90°	42
FA/FK ISO 6164方形法兰系列(PN400 / series 5) ISO 6164 square flange(PN400 / series 5)	18	AFW-G SAE 90°弯英制管螺纹法兰 SAE BSPP thread flange-90°	43
FV ISO 6164方形法兰三通 ISO 6164 square flange T-block	19	AFW-U SAE 90°弯美制锥管螺纹 (NPT) 法兰 SAE NPT thrcad flange-90°	44
AFM SAE24°内锥公制螺纹法兰 SAE flange with metric 24° DIN3901/3902	20	AFW-T SAE 90°对焊焊接法兰 SAE butt welding flange-90°	45
AFS-M SAE沉插式焊接法兰 SAE socket welding flange	21	AFC G1/4 SAE 直通测压法兰 SAE -Flange with test point-straight	46
GFS-M SAE沉插式焊接法兰 SAE socket welding flange	22	AGL G1/4 SAE 边孔式测压法兰 SAE flange with test point-point-90°	47
AFS-G SAE英制管螺纹法兰 SAE BSPP thread flange	23	GAF SAE 直通式转换法兰 SAE -transforming flange-straight	48
GFS-G SAE英制管螺纹法兰 SAE BSPP thread flange	24	LGD SAE 90°弯转换法兰 SAE transforming flange-90°	49
AFS-U SAE美制锥管螺纹 (NPT) 法兰 SAE NPT thread flange	25	AP SAE 法兰过渡片 SAE flange adapter sheet	50
		ZP SAE 法兰过渡片 SAE flange adapter sheet	51



适用标准 per standard: SAE J518C, JB/ZQ4187-97, ISO6162, ISO6164

工作压力：通常工况下（工作温度 $-20^{\circ}\text{C}\sim 90^{\circ}\text{C}$ ），法兰产品所推荐的最大工作压力已在产品明细表中列出，设计请注意。

Working pressure: Normally (working temperature is $-20^{\circ}\text{C}\sim 90^{\circ}\text{C}$), the maximum recommended working pressure is listed in each product detail.

使用材料：除非特别要求，法兰产品所使用的材料已在产品明细中列明，一般情况下，非焊接式碳钢法兰及接头采用45#钢制，焊接式碳钢法兰件采用Q235，不锈钢法兰件采用AISI 304/316L。订货时请注明材料。

Material: The material of flange products is listed in each product detail. Normally, 1045 carbon steel is used for non-welding flange and fittings, and Q235 is used for welding flange, AISI 304/316L is used for stainless steel flanges.

表面保护：通常情况下，非焊接式碳钢法兰及接头镀锌为彩锌或环保白锌（Cr+s），锌层厚度 $\geq 5\mu$ 。环保白锌（Cr+s）盐雾试验144小时以上，焊接式碳钢法兰产品采用表面防锈处理（表面磷化），定货时请注明要求。

Surface Finish: Normally, yellow zinc dichromate plating or silver trivalent plating(Cr+s) is used for non-welding flange and coating thickness $\geq 5\mu\text{m}$. Silver trivalent plating (Cr+S) passes 144 hours salt spray test. Welding carbon steel flange is used rust preventative treatment (phosphating). Please let us know your requirement

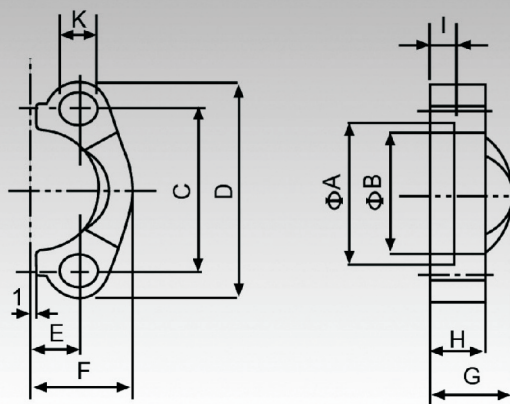
连接螺栓：本公司法兰产品一般情况下配制8.8级内六角高强度螺栓（表面磷化发黑）不锈钢法兰配不锈钢螺栓，螺栓附弹簧垫圈、螺母。（如有其它要求，订货时请说明）

Bolts: Normally, we use grade 8.8 hex head cap screws (phosphating). Stainless steel bolts (including spring washer and nut) fit stainless steel flanges. If you have other requirements, please let us know.

密封技术：本公司法兰产品全部采用O形圈（O-Ring）密封，通常情况下O形圈材料采用丁腈橡胶NBR90，如需氟橡胶材料（FPM）的O型圈，订货时请说明。

Sealing technique: We use O-ring to seal. Normally, O-ring is made of NBR90. If you want FPM O-ring, please let us know.

SAE对开法兰 SAE split flange



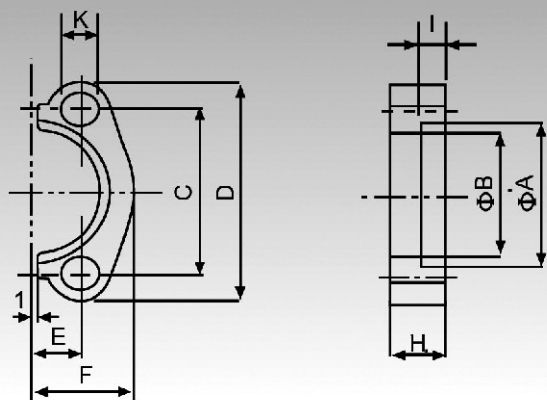
FL/FS

材料 (Material)

- 1、45#钢, C45 carbon steel
- 2、不锈钢AISI 304/316L

normal flange size.	产品型号 part No.	尺寸参数 dimension										适用螺栓规格 bolt		单重 Wt	最大工作压力 MAX.W.P.
		A	B	C	D	E	F	G	H	I	K				
inch	轻系列 3000 psi											M	unc	kg	kg/cm ²
1/2"	FL08	31.00	24.50	38.10	54	8.74	23	19	13	6.20	8.5	M8	5/16	0.07	350
3/4"	FL12	38.90	32.15	47.63	65	11.11	26	22	14.3	6.20	10.5	M10	3/8	0.10	350
1"	FL16	45.25	38.80	52.37	70	13.09	29.5	24	16	7.50	10.5	M10	3/8	0.12	315
1 1/4"	FL20	51.60	43.70	58.72	79	15.09	36.5	22	14	7.50	10.5	M10	---	0.16	250
1 1/4"	FL20U	51.60	43.70	58.72	79	15.09	36.5	22	14	7.50	12	---	7/16	0.16	250
1 1/4"	FL20/12	51.60	43.70	58.72	79	15.09	36.5	22	14	7.50	12.5	M12	---	0.16	250
1 1/2"	FL24	61.10	50.80	69.85	94	17.86	41.5	25	16	7.50	13.5	M12	1/2	0.25	200
2"	FL32	72.25	62.75	77.77	102	21.44	48.5	26	16	9.00	13.5	M12	1/2	0.27	200
2"	FL32/14	72.25	62.75	77.77	102	21.44	48.5	26	16	9.00	14.5	M14	---	0.27	200
2 1/2"	FL40	84.95	74.95	88.90	114	25.40	54	38	19	9.00	13.5	M12	1/2	0.42	160
3"	FL48	102.40	90.95	106.38	135	30.96	65.5	41	22	9.00	17	M16	5/8	0.62	138
3 1/2"	FL56	115.10	102.40	120.65	152	34.93	70	28	22	10.70	17	M16	5/8	0.71	35
4"	FL64	127.80	115.10	130.18	162	38.89	76	35	25	10.70	17	M16	5/8	0.81	35
5"	FL80	153.20	140.50	152.40	184	46.04	90.5	41	28	10.70	17	M16	5/8	1.15	35
	重系列 6000 psi														
1/2"	FS08	32.55	24.65	40.49	56	9.12	24	22	16	7.20	8.5	M8	5/16	0.09	400
3/4"	FS12	42.10	32.50	50.80	71	11.90	30	28	19	8.25	10.5	M10	3/8	0.17	400
1"	FS16U	48.40	38.90	57.15	81	13.88	35	33	24	9.00	12	---	7/16	0.27	400
1"	FS16	48.40	38.90	57.15	81	13.88	35	33	24	9.00	13	M12	---	0.27	400
1 1/4"	FS20/12	54.80	44.50	66.68	95	15.88	39	38	27	9.80	13.5	M12	1/2	0.40	400
1 1/4"	FS20	54.80	44.50	66.68	95	15.88	39	38	27	9.80	14.5	M14	---	0.40	400
1 1/2"	FS24	64.30	51.60	79.38	113	18.25	47.5	43	30	12.00	17	M16	5/8	0.68	400
2"	FS32	80.20	67.60	96.82	133	22.23	57	52	37	12.00	21	M20	3/4	1.05	400
2 1/2"	FS40	108.90	90.0	123.83	180	29.36	76	45	45	20.50	25	M24	---	2.10	400
3"	FS48	132.50	115.0	152.40	210	35.71	99	55	55	25.50	32	M30	---	4.00	400

SAE对开平法兰 SAE split flange-flat style



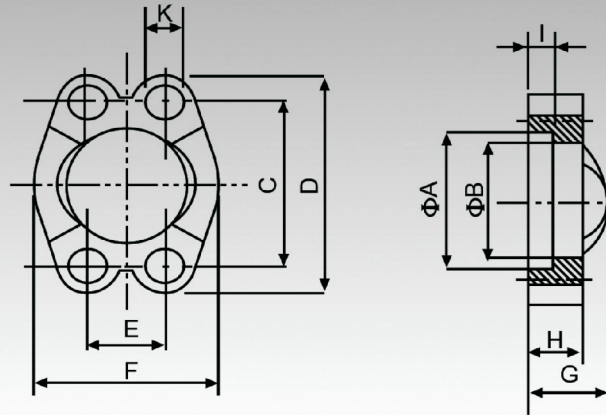
材料 (Material)

HFL/HFS

- 1、45#钢, C45 carbon steel
- 2、不锈钢AISI 304/316L

normal flange size.	产品型号 part No.	尺寸参数 dimension									适用螺栓规格 bolt		单重 Wt kg	最大 工作压力 MAX.W.P kg/cm ²	
		A	B	C	D	E	F	H	I	K	M	unc			
inch	轻系列 3000 psi											M	unc	kg	kg/cm ²
1/2"	HFL08	31.00	24.50	38.10	54	8.74	23	13	6.20	9	M8	5/16	0.06	350	
3/4"	HFL12	38.90	32.15	47.63	65	11.11	26	14	6.20	11	M10	3/8	0.09	350	
1"	HFL16	45.25	38.80	52.37	70	13.09	29.5	16	7.50	11	M10	3/8	0.11	315	
1 1/4"	HFL20	51.60	43.70	58.72	79	15.09	36.5	16	7.50	11	M10	---	0.16	250	
1 1/2"	HFL24	61.10	50.80	69.85	94	17.86	41	16	7.50	13	M12	1/2	0.22	200	
2"	HFL32	72.25	62.75	77.77	102	21.44	48.5	16	9.00	13	M12	1/2	0.25	200	
	重系列 6000 psi														
1/2"	HFS08	32.55	24.65	40.49	56	9.12	24	16	7.20	9	M8	5/16	0.08	400	
3/4"	HFS12	42.10	32.50	50.80	71	11.90	30	19	8.25	11	M10	3/8	0.16	400	
1"	HFS16	48.40	38.90	57.15	81	13.88	35	24	9.00	13	M12	7/16	0.25	400	
1 1/4"	HFS20	54.80	44.50	66.68	95	15.88	39	27	9.80	15	M14	---	0.38	400	
1 1/2"	HFS24	64.30	51.60	79.38	113	18.25	47.5	30	12.00	17	M16	5/8	0.65	400	
2"	HFS32	80.20	67.60	96.82	133	22.23	57	37	12.00	21	M20	3/4	1.00	400	

SAE整体法兰 SAE flange clamp



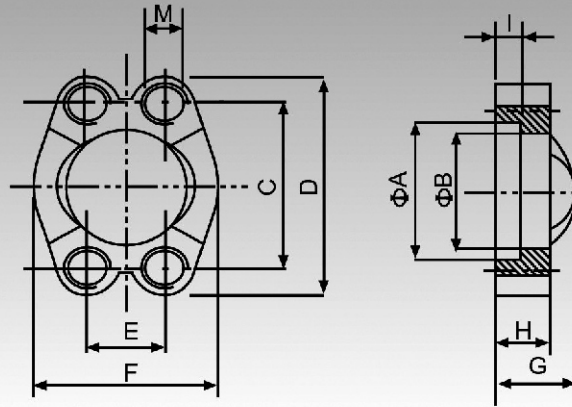
VFL/VFS

材料 (Material)

- 1、45#钢, C45 carbon steel
- 2、不锈钢AISI 304/316L

normal flange size.	产品型号 part No.	尺寸参数 dimension										适用螺栓规格 bolt		单重 Wt kg	最大 工作压力 MAX.W.P kg/cm ²	
		A	B	C	D	E	F	G	H	I	K					
inch	轻系列 3000 psi												M	unc	kg	kg/cm ²
1/2"	VFL08	31.00	24.50	38.10	54	17.48	46	19	13	6.20	8.5	M8	5/16	0.14	350	
3/4"	VFL12	38.90	32.15	47.63	65	22.23	52	22	14.3	6.20	10.5	M10	3/8	0.19	350	
1"	VFL16	45.25	38.80	52.37	70	26.19	59	24	16	7.50	10.5	M10	3/8	0.22	315	
1 1/4"	VFL20	51.60	43.70	58.72	79	30.18	73	22	14	7.50	10.5	M10	---	0.31	250	
1 1/4"	VFL20U	51.60	43.70	58.72	79	30.18	73	22	14	7.50	12	---	7/16	0.31	250	
1 1/4"	VFL20/12	51.60	43.70	58.72	79	30.18	73	22	14	7.50	12.5	M12	---	0.31	250	
1 1/2"	VFL24	61.10	50.80	69.85	94	35.71	83	25	16	7.50	13.5	M12	1/2	0.49	200	
2"	VFL32	72.25	62.75	77.77	102	42.88	97	26	16	9.00	13.5	M12	1/2	0.53	200	
2"	VFL32/14	72.25	62.75	77.77	102	42.88	97	26	16	9.00	14.5	M14	---	0.53	200	
2 1/2"	VFL40	84.95	74.95	88.90	114	50.80	109	38	19	9.00	13.5	M12	1/2	0.81	160	
3"	VFL48	102.40	90.95	106.38	135	61.93	131	41	22	9.00	17	M16	5/8	1.22	138	
3 1/2"	VFL56	115.10	102.40	120.65	152	69.85	140	28	22	10.70	17	M16	5/8	1.41	35	
4"	VFL64	127.80	115.10	130.18	162	77.77	152	35	25	10.70	17	M16	5/8	1.62	35	
5"	VFL80	153.20	140.50	152.40	184	92.08	181	41	28	10.70	17	M16	5/8	2.30	35	
	重系列 6000 psi															
1/2"	VFS08	32.55	24.65	40.49	56	18.24	48	22	16	7.20	8.5	M8	5/16	0.18	400	
3/4"	VFS12	42.10	32.50	50.80	71	23.80	60	28	19	8.25	10.5	M10	3/8	0.34	400	
1"	VFS16U	48.40	38.90	57.15	81	27.76	70	33	24	9.00	12	--	7/16	0.58	400	
1"	VFS16	48.40	38.90	57.15	81	27.76	70	33	24	9.00	13	M12	---	0.58	400	
1 1/4"	VFS20/12	54.80	44.50	66.68	95	31.75	78	38	27	9.80	13.5	M12	1/2	0.77	400	
1 1/4"	VFS20	54.80	44.50	66.68	95	31.75	78	38	27	9.80	14.5	M14	---	0.77	400	
1 1/2"	VFS24	64.30	51.60	79.38	113	36.50	95	43	30	12.00	17	M16	5/8	1.35	400	
2"	VFS32	80.20	67.60	96.82	133	44.45	114	52	37	12.00	21	M20	3/4	2.11	400	
2 1/2"	VFS40	108.90	90.0	123.83	180	58.73	152	45	45	20.5	25	M24	---	4.20	400	
3"	VFS48	132.50	115.0	152.40	210	71.43	198	55	55	25.5	32	M30	---	8.00	400	

SAE螺纹整体法兰 SAE flange clamp with thread



FL-M/FS-M

材料 (Material)

- 1、45#钢, C45 carbon steel
- 2、不锈钢AISI 304/316L

备注: M代表公制螺纹 U代表美制螺纹

normal flange size.	产品型号 part No.	尺寸参数 dimension									螺纹孔 Thread		单重 Wt	最大 工作压力 MAX.W.P
		A	B	C	D	E	F	G	H	I				
inch	轻系列 3000 psi										M	unc	kg	kg/cm ²
1/2"	FL08M	31.00	24.50	38.10	54	17.48	46	19	13	6.20	M8	5/16	0.19	350
3/4"	FL12M	38.90	32.15	47.63	65	22.23	52	22	14.3	6.20	M10	3/8	0.24	350
1"	FL16M	45.25	38.80	52.37	70	26.19	58.4	24	16	7.50	M10	3/8	0.27	315
1 1/4"	FL20M	51.60	43.70	58.72	79	30.18	73	22	14	7.50	M10	7/16	0.36	250
1 1/4"	FL20M/12	51.60	43.70	58.72	79	30.18	73	22	14	7.50	M12	-	0.36	250
1 1/2"	FL24M	61.10	50.80	69.85	94	35.71	83	25	16	7.50	M12	1/2	0.54	200
2"	FL32M	72.25	62.75	77.77	102	42.88	97	26	16	9.00	M12	1/2	0.58	200
2 1/2"	FL40M	84.95	74.95	88.90	114	50.80	109	38	19	9.00	M12	1/2	0.86	160
3"	FL48M	102.40	90.95	106.38	135	61.93	131	41	22	9.00	M16	5/8	1.27	138
3 1/2"	FL56M	115.10	102.40	120.65	152	69.85	140	28	22	10.70	M16	5/8	1.46	35
4"	FL64M	127.80	115.10	130.18	162	77.77	152	35	25	10.70	M16	5/8	1.67	35
5"	FL80M	153.20	140.50	152.40	184	92.08	181	41	28	10.70	M16	5/8	2.35	35
	重系列 6000 psi													
1/2"	FS08M	32.55	24.65	40.49	57.5	18.24	48	22	16	7.20	M8	5/16	0.23	400
3/4"	FS12M	42.10	32.50	50.80	71	23.80	60	28	19	8.25	M10	3/8	0.39	400
1"	FS16M	48.40	38.90	57.17	81	27.76	70	33	24	9.00	M12	7/16	0.58	400
1 1/4"	FS20M/12	54.80	44.50	66.68	95	31.75	78	38	27	9.80	M12	--	0.83	400
1 1/4"	FS20M	54.80	44.50	66.68	95	31.75	78	38	27	9.80	M14	1/2	0.83	400
1 1/2"	FS24M	64.30	51.60	79.38	113	36.50	95	43	30	12.00	M16	5/8	1.40	400
2"	FS32M	80.20	67.60	96.82	133	44.45	114	52	37	12.00	M20	3/4	2.16	400
2 1/2"	FS40M	108.90	90	123.80	180	58.73	152	45	45	20.50	M24	--	4.25	400
3"	FS48M	132.50	115.00	152.40	210	71.43	198	55	55	25.50	M30	--	8.05	400

SAE法兰焊管组合件

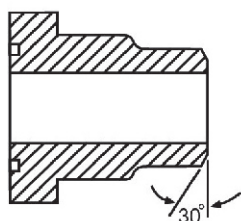
SAE flange welding couplings



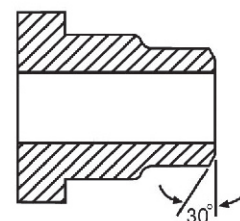
材料 (Material)

- 1、20#钢, C20 carbon steel
- 2、不锈钢AISI 304/316L

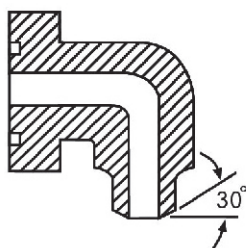
SFC
带O槽焊管
welding adapter
with O-ring groove
例: SFC32-3-42.3X4



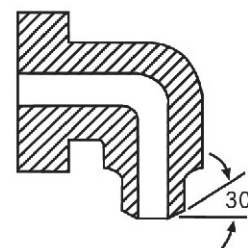
SFCD
光面焊管
welding adapter
without groove
例: SFCD32-3-42.3X4



WFC
带O槽90°焊管
welding adapter 90°
with O-ring groove
例: WFC32-3-42.3X4



WFCD
光面90°焊管
welding adapter 90°
without groove
例: WFCD32-3-42.3X4



MC
带O槽闷盖
plug with O-ring groove
例: MC32-3



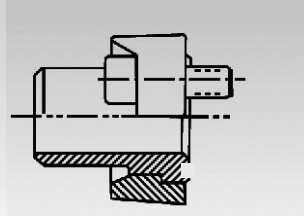
MCD
光面闷盖
plug without groove
例: MCD32-3



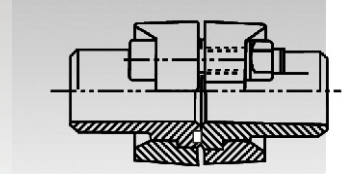
SAE法兰焊管组合件 SAE flange welding couplings



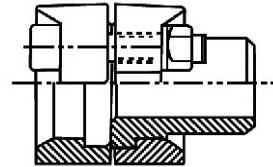
A型— (JB4187-97 A型)
对开法兰 (FH) 二只
带O槽焊管一只
O形圈一只
螺栓一组
示例: A型50-3-60.3X5.6



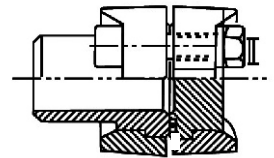
B型— (JB4187-97 B型)
对开法兰 (FH) 二只
整体法兰 (VF) 一只
配对焊管各一只
O形圈一只
螺栓一组
示例: B型80-3-76.1X4/89X4-X
(两头焊管的焊接尺寸可以不一致)
如需要螺纹孔全法兰VFM的连接形式, 订货时请说明。



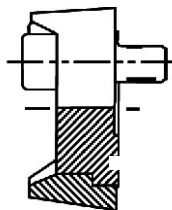
C型— (JB4187-97 C型)
对开法兰 (FH) 二只
整体法兰 (VF) 一只
光面焊管一只
螺栓一组
示例: C型40-3-48.3X3.6-X
如需要螺纹孔全法兰VFM的连接形式, 订货时请说明。



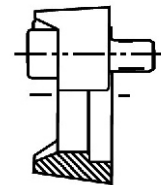
D型— (JB4187-97 D型)
对开法兰 (FH) 二只
整体法兰 (VF) 一只
带O槽闷盖 (MG) 一只
光面焊管一只
O形密封圈一只
螺栓一组
示例: D型50-6-60.3X10
如需要螺纹孔全法兰VFM的连接形式, 订货时请说明。



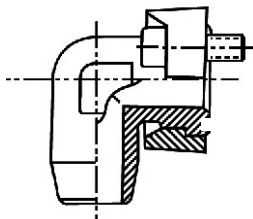
E型— (JB4187-97 E型)
对开法兰 (FH) 二只
带O槽闷盖 (MG) 一只
O型密封圈一只
螺栓一组
示例: E型25-3U-X
(U表示配美制螺栓)



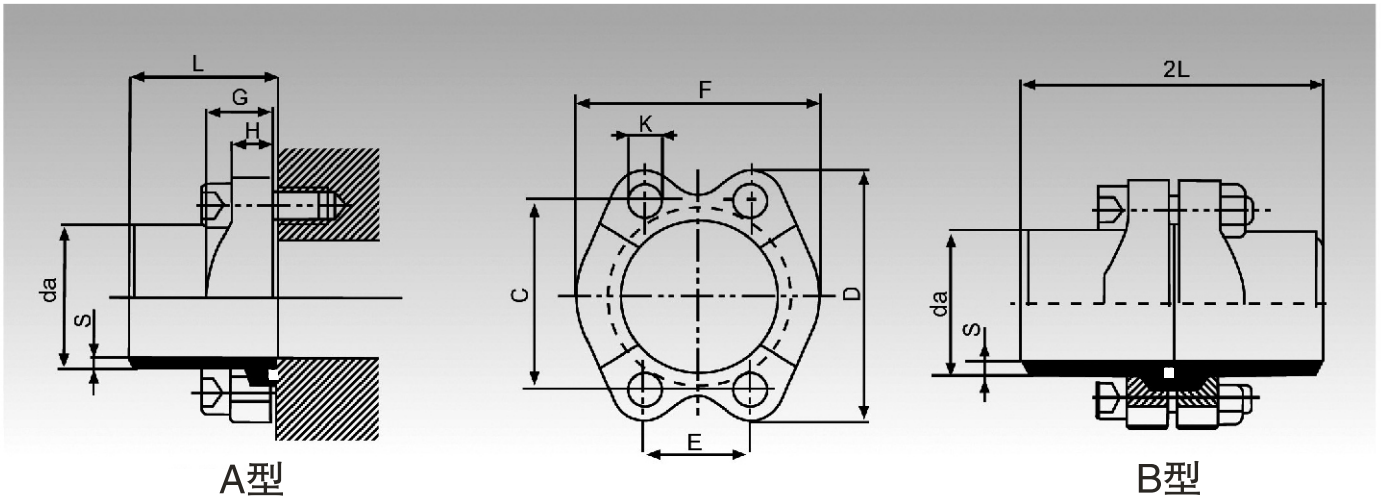
F型— (JB4187-97F型)
对开法兰 (FH) 二只
O型圈一只
螺栓一组
示例: F型40-6
F型40-6U
(U表示配美制螺栓)



AWF— (A型的90°弯形式)
对开法兰 (FH) 二只
90°弯带O槽焊管一只
O型圈一只
螺栓一组
示例: AWF32-6-42X5



SAE法兰焊管组合件 SAE flange welding couplings



A型

B型

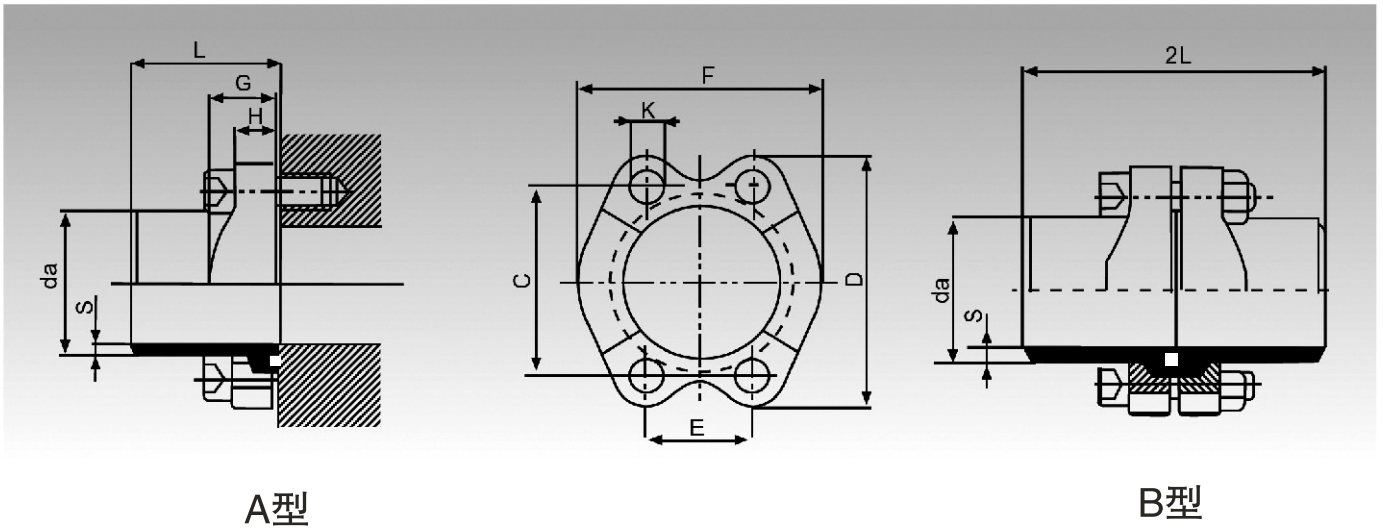
材料 (Material)

- 1、45#钢, C45 carbon steel
- 2、不锈钢AISI 304/316L

订货说明: da*s 代表接管的焊接尺寸, 订货请标注。

normal flange Inch	产品型号 part No.	尺寸参数 dimension							配用附件		单重 Wt Kg	最大 工作压力 MAX.W.P Kg/cm ²
		daxs	C	D	E	F	L	K	螺栓 bolt	O形圈 o-ring		
1/2"	A型15-3	12x2, 15x2, 16x2, 16x2.5, 16x3	38.10	54	17.48	46	30	8.5	M8X25	18.66x3.53	0.28	350
	B型15-3	18x2, 18x3, 20x3, 20x3.5 21.3x3.2, 21.3x3.6, 21.6x2.6 21.6x4.3, 22x3, 22x4, 22x4.5										
3/4"	A型20-3	16x3, 20x3, 22x2.5, 22x3, 22x3.5	47.63	65	22.23	52	35	10.5	M10X30	25.00x3.53	0.44	350
	B型20-3	25x3, 25x4, 26.9x2.9, 26.9x3.6 26.9x4, 28x3.5, 28x4, 28x4.5 30x3, 30x4, 30x5										
1"	A型25-3	20x2.5, 20x3, 22x3, 25x3, 25x4	52.37	70	26.19	59	40	10.5	M10X30	32.92x3.53	0.56	315
	B型25-3	26.9x4, 28x3, 28x4, 30x3, 30x4 30x5, 32x4, 33.7x3.2, 33.7x3.6 33.7x7.1, 34x4, 34x4.5, 34x5 35x3.2, 35x5, 38x3, 38x4, 38x5										
1 1/4"	A型32-3	22x3, 25x3, 28x2.5, 28x3, 28x4	58.72	79	30.18	73	45	10.5	M10X30	37.70x3.53	0.72	250
	B型32-3	30x4, 34x3, 34x4, 34x5, 34x6.5 38x4, 38x5, 38x6, 42x2.6, 42x3.2 42.4x3.6, 42.4x4, 42.4x4.5, 42.4x5 42.4x6.3, 42.8x5.4, 43x6										
1 1/2"	A型40-3	30x3, 38x4, 42.4x3.2, 42.4x4	69.85	94	35.71	83	50	13.5	M12X35	47.22x3.53	0.92	200
	B型40-3	48.3x3.2, 48.3x3.6, 48.3x4.5 48.3x5, 48.3x6.3, 48.6x5.3 50x3, 50x5, 50x6										
2"	A型50-3	38x4, 38x5, 42.4x5, 48.3x3.2,	77.77	102	42.88	97	60	13.5	M12X35	56.75x3.53	1.30	200
	B型50-3	48.3x3.6, 48.3x4.5, 48.3x5, 50x4, 50x5, 50x6, 57x3.57x5, 60.3x3.2 60.3x4, 60.3x5.6, 60.3x6.3, 60.3x8, 60.3x10, 61x5, 61x5.5, 61x9, 62x7.5, 63x3.6, 63x4, 63x5, 65x6										
2 1/2"	A型65-3	60.3x4, 63x4, 63x6, 65x6, 70x7	88.90	114	50.80	109	70	13.5	M12X40	69.45x3.53	1.80	160
	B型65-3	73x7, 76.1x3.2, 76.1x4, 76.1x5, 76.1x5.5, 76.1x7.1, 76.1x10 ***										
3"	A型80-3	76.1x4, 76.1x5.5, 76.1x7.1	106.38	135	61.93	131	80	17	M16X50	85.32x3.53	2.60	138
	B型80-3	76.1x8, 76.1x10, 89x3.2, 89x4, 89x5, 89x6, 89x8, 89x10, 90x10										
3 1/2"	A型90-3	76.1x4, 89x4, 89x6, 101.6x7.1	120.65	152	69.85	140	80	17	M16X50	98.02x3.53	3.00	35
	B型90-3	102x5										
4"	A型100-3	89x4, 89x5, 89x6, 108x4	130.18	162	77.77	152	80	17	M16X50	110.72x3.53	3.50	35
	B型100-3	114.3x4, 114.3x5, 114.3x6 114.3x7.1, 114.3x8, 114.3x8.8 114.3x14.2										
5"	A型125-3	133x4, 140x4, 140x5, 140x6.5	152.40	184	92.08	181	80	17	M16X55	136.12x3.53	4.50	35
	B型125-3	140x7, 140x10										

SAE法兰焊管组合件 SAE flange welding couplings



A型

B型

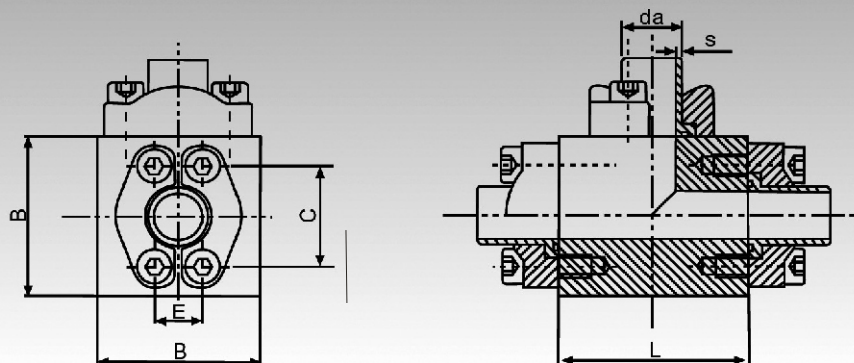
材料 (Material)

- 1、45#钢, C45 carbon steel
- 2、不锈钢AISI 304/316L

订货说明: da*s 代表接管的焊接尺寸, 订货请标注。

normal flange Inch	产品型号 part No.	尺寸参数 dimension							配用附件		单重 Wt Kg	最大 工作压力 MAX.W.P Kg/cm ²
		daxs	C	D	E	F	L	K	螺栓 bolt	O 形圈 o-ring		
1/2"	A型15-6	12x2, 16X2, 16x2.5, 16x3, 17.2x3.2	40.49	56	18.24	48	40	8.5	M8X30	18.66x3.53	0.35	400
	B型15-6	18x3, 18x4, 20x2.5, 20x3, 21.6x3.6 21.6x4.3, 22x3, 22x4, 22x4.5										
3/4"	A型20-6	20x3, 21.3x4, 22x2.5, 22x3, 22x4	50.80	71	23.80	60	45	10.5	M10X35	25.00x3.53	0.68	400
	B型20-6	25x3, 25x4, 26.9x3.6, 26.9x4 26.9x4.5, 26.9x5.6, 28x3, 28x4 28x5, 28x6, 30x4, 30x5										
1"	A型25-6	25x3, 25x4, 26.9x4, 26.9x5.6	57.15	81	27.76	70	50	13	M12X45	32.92x3.53	1.06	400
	B型25-6	28x4, 28x5, 30x3, 30x4, 30x5 30x6, 33.7x3.6, 33.7x5.6, 33.7x7.1 33.7x7.1, 34x4, 35x4 35x5, 35x6.5, 38x5, 38x6										
1 1/4"	A型32-6	30x3, 30x4, 30x5, 33.7x5.6,	66.68	95	31.75	78	55	14.5	M14X50	37.70x3.53	1.58	400
	B型32-6	33.7x7.1, 34x5, 35x6, 38x4, 38x5 38x6, 42.4x4.5, 42.4x5, 42.4x5.6 42.4x6, 42.4x6.5, 42.4x8, 42.4x8.8 42.8x5.4, 43x6, 44x7.5										
1 1/2"	A型40-6	38x5, 38x6, 42.4x5, 42.4x5.6,	79.38	113	36.5	95	60	17	M16X55	47.22x3.53	2.50	400
	B型40-6	42.4x6.5, 42.4x8.8, 44x7.45, 45x6 45x7, 48.3x5, 48.3x6.3, 48.3x7.1 48.3x8, 48.6x5.3, 48.6x8.8, 50x3 50x4, 50x5, 50x6, 50x8, 51x8										
2"	A型50-6	48.3x6.3, 48.3x8.8, 60.3x5.6,	96.82	133	44.45	114	70	21	M20X70	56.75x3.53	4.30	400
	B型50-6	60.3x6.3, 60.3x8, 60.3x10, 60.3x11, 60.3x12.5, 61x5.61x9 63x6, 63x8, 63x10, 63x12.5, 65x11										
2 1/2"	A型65-6	76.1x10, 76.1x12.5, 76.1x14	123.83	180	58.73	152	80	25	M24X80	75.57x5.33	8.50	400
	B型65-6	89x11, 89x12.5, 89x14.2										
3"	A型80-6	89x11, 89x14.2, 95x10, 108x12.5	152.4	210	71.43	198	100	32	M30X90	88.27x5.33	16.80	400
	B型80-6	114.3x14.2, 114.3x17.5, 114.3x20										

SAE法兰三通 SAE flange T-block



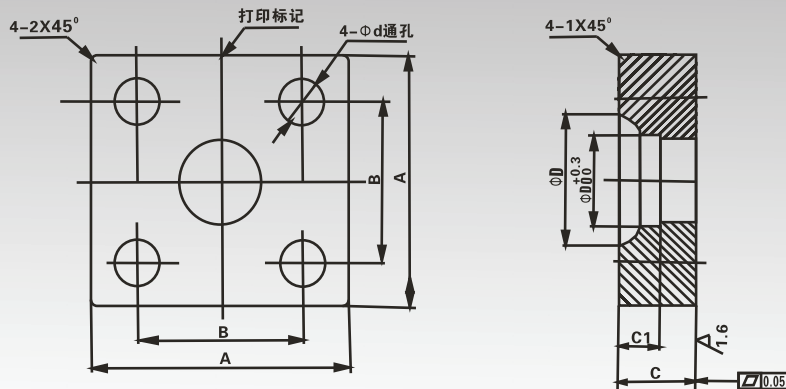
SFV

材料 (Material)

- 1、45#钢, C45 carbon steel
- 2、不锈钢AISI 304/316L

normal flange Inch	产品型号 part No.	尺寸参数 dimension						三通块 重量 Wt Kg	最大 工作压力 MAX.W.P Kg/cm ²
		系列	daxs	B	C	E	L		
1/2"	301 15-3 3000 psi	SFV	15-3	60	38.10	17.48	70	1.80	350
	601 15-6 6000 psi		15-6	60	40.49	18.24	70		
3/4"	302 20-3 3000 psi	SFV	20-3	70	47.63	22.23	80	2.60	350
	602 20-6 6000 psi		20-6	80	50.8	23.8	90		
1"	303 25-3 3000 psi	SFV	25-3	80	52.37	26.19	90	3.80	315
	603 25-6 6000 psi		25-6	90	57.15	27.76	100		
1 1/4"	304 32-3 3000 psi	SFV	32-3	90	58.72	30.18	100	5.30	250
	604 32-6 6000 psi		32-6	100	66.68	31.75	110		
1 1/2"	305 40-3 3000 psi	SFV	40-3	100	69.85	35.71	110	6.80	200
	605 40-6 6000 psi		40-6	120	79.38	36.50	120		
2"	306 50-3 3000 psi	SFV	50-3	110	77.77	42.88	120	8.30	200
	606 50-6 6000 psi		50-6	140	96.82	44.44	150		

HB高压方法兰 HB pressure square flange



DN-A

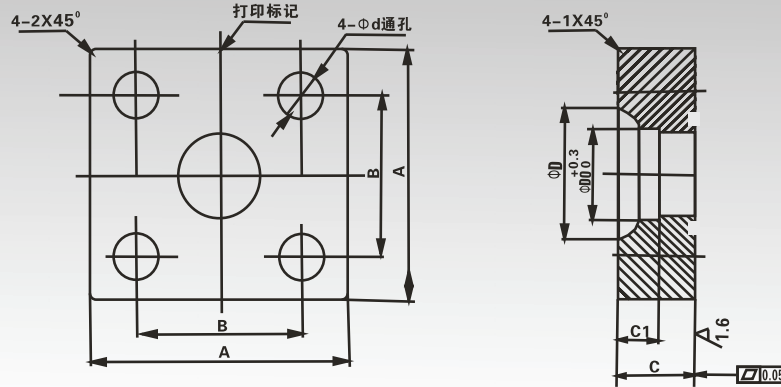
材料 (Material)

- 1、20#钢, C20 carbon steel
- 2、不锈钢AISI 304/316L

通径	ϕ DOXS	A	B	C	C1	d	螺 栓
DN10A	ϕ 18.5	60	38	22	11	11	M10X60
DN15A	ϕ 22.5	66	43	22	11	11	M10X60
DN20A	ϕ 27.5	73	46	28	14	14	M12X75
DN25A	ϕ 34.5	80	56	28	14	14	M12X75
DN32A	ϕ 42.5	90	63	30	16	16	M14X80
DN40A	ϕ 48.5	102	72	32	18	18	M16X90
DN50A	ϕ 61	121	86	38	18	22	M20X110
DN65A	ϕ 77	132	97	38	20	22	M20X110
DN80A	ϕ 90	154	110	46	25	24	M22X120

HB高压方法兰

HB pressure square flange



DN-B

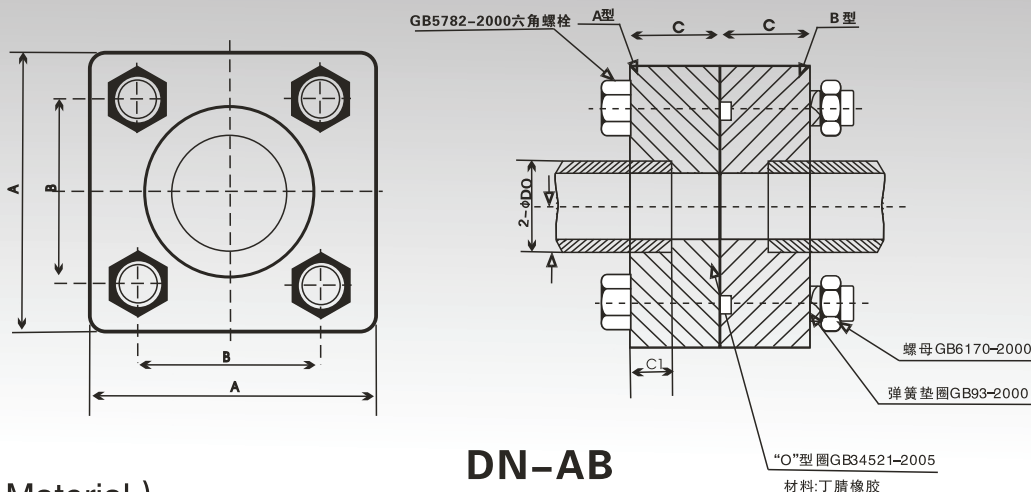
材料 (Material)

- 1、20#钢, C20 carbon steel
- 2、不锈钢AISI 304/316L

通径	φDOXS	A	B	C	C1	d	"O"型圈	螺栓
DN10B	φ 18.5	60	38	22	11	11	23.6x3.55	M10X60
DN15B	φ 22.5	66	43	22	11	11	28x3.55	M10X60
DN20B	φ 27.5	73	46	28	14	14	32.5x3.55	M12X75
DN25B	φ 34.5	80	56	28	14	14	42.5x3.55	M12X75
DN32B	φ 42.5	90	63	30	16	16	47.5x3.55	M14X80
DN40B	φ 48.5	102	72	32	18	18	54.5x3.55	M16X90
DN50B	φ61	121	86	38	18	22	67x3.55	M20X110
DN65B	φ77	132	97	38	20	22	82.5x3.55	M20X110
DN80B	φ90	154	110	46	25	24	95x3.55	M22X130

HB高压法兰组合件

HB pressure square flange Couplin



DN-AB

材料 (Material)

- 1、20#钢, C20 carbon steel
- 2、不锈钢AISI 304/316L

通径	ϕ DOXS	A	B	C	C1	螺 栓	"O" 型圈GAJF GE34521-83
DN10AB	ϕ 18	60	38	22	11	M10X60	ϕ 23.6x3.55
DN15AB	ϕ 22	66	43	22	11	M10X60	ϕ 28x3.55
DN20AB	ϕ 27	73	46	28	14	M12X75	ϕ 32.5x3.55
DN25AB	ϕ 34	80	56	28	14	M12X75	ϕ 42.5x3.55
DN32AB	ϕ 42	90	63	30	16	M14X80	ϕ 47.5x3.55
DN40AB	ϕ 48	102	72	32	18	M16X90	ϕ 54.5x3.55
DN50AB	ϕ 60	121	86	38	18	M20X110	ϕ 67x3.55
DN65AB	ϕ 76	132	97	38	20	M20X110	ϕ 82.5x3.55
DN80AB	ϕ 89	154	110	46	25	M22X130	ϕ 95x3.55

ISO 6164方形法兰系列 ISO 6164 square flange

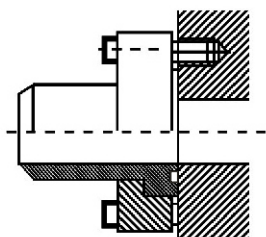


材料 (Material)

碳钢, 不锈钢 304/ 316L

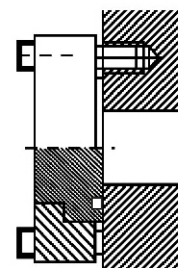
FA--

方形法兰一只
带O槽焊管一只
O形圈一只
螺栓一组
例FA50-0-60.3 × 2.9



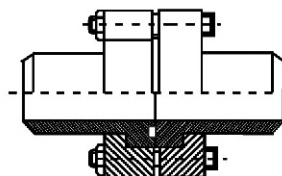
FAG--

方形法兰一只
带O槽闷盖一只
O形圈一只
螺栓一组
例FAG50-0



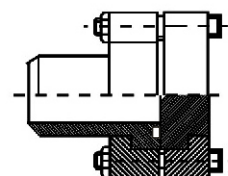
FK--

方形法兰二只
配对焊管一对
O形圈一只
螺栓一组
例FK50-0-60.3 × 29-60.3 × 4.5
(两头焊管对焊尺寸可不同)



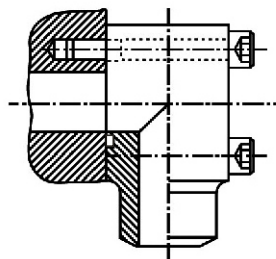
FKG--

方形法兰二只
带O槽焊管一只
光面闷盖一只
O形圈一只
螺栓一组
例FKG50-0-60.3 × 2.9-ST/X



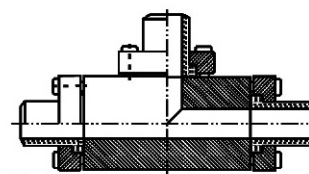
WFA--

90° 弯法兰一只
O形圈一只
螺栓一组
WFA50-3-76.1 × 10

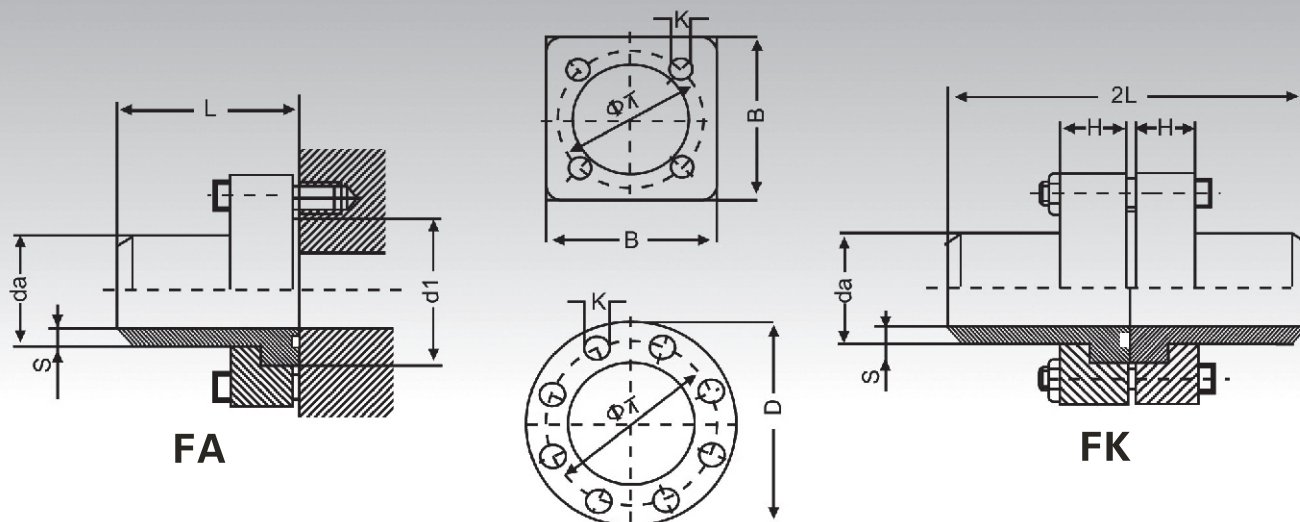


FV--

三通法兰
全套订货时:
三通块一只
FA--3套
例FV50-3 (仅三通块)
FV50-3-60.3 × 10(三通块一只,
3套FA50-3-60.3x10)



ISO 6164方形法兰系列(PN10-64 / series 0) ISO 6164 square flange(PN10-64 / series 0)



材料 (Material)

- 1、20#钢, C20 carbon steel
- 2、不锈钢AISI 304/316L

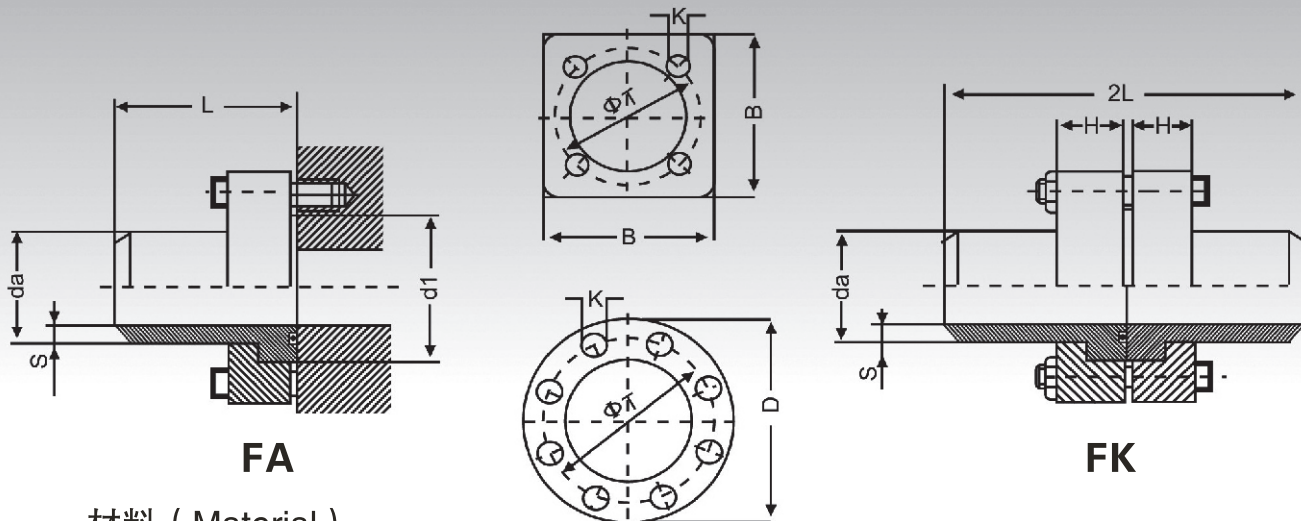
最大工作压力Max.w.p: 64kg/cm

订货说明: da*s 代表接管的焊接尺寸, 订货请标注

产品型号 part No.	尺寸参数 dimension								配用附件		单重 Wt Kg
	daxs	B	D	H	T	d1	K	L	螺栓 bolt	○形圈 o-ring	
FA 32-0 FK	42.4x2.6, 42.4x3 42.4x3.6	80	-	24	72	55	13	64	M12x45 M12x70	37.70x3.53	1.4 2.65
FA 40-0 FK	42.4x3, 48.3x2.6 48.3x3, 48.3x3.6	90	-	29	80	60	17	68	M16x55 M16x80	42.50x3.55	2.0 4.00
FA 50-0 FK	60.3x2.9, 60.3x3.6 60.3x4, 60.3x4.5	100	-	38	98	76	17	80	M16x65 M16x100	58.00x3.55	3.1 6.00
FA 65-0 FK	76.1x2.9, 76.1x3.6 76.1x4	120	-	48	118	92	21	98	M20x75 M20x120	75.00x3.55	5.50 10.60
FA 80-0 FK	89x4, 89x6 89x8	150	-	48	145	110	25	109	M24x80 M24x130	79.60x5.7 89.60x5.7	9.50 18
FA 90-0 FK	101.6x7.1	180	-	58	175	135	32	135	M30x95 M30x150	89.60x5.7	17 33
FA 100-0 FK	114.3x4, 114.3x6 114.3x7.1	180	-	58	175	135	32	135	M30x95 M30x150	109.60x5.7	17 33
FA 125-0 FK	139.7x8, 139.7x10 140x8.5	-	245	68	200	168	25	150	M24x100 M24x170	114.6x5.7 129.6x5.7	29 57
FA 150-0 FK	168.3x6, 168.3x8 168.3x10	-	300	80	245	205	32	190	M30x120 M30x200	164.47x6.99	48.5 95.50

ISO 6164方形法兰系列(PN160 / series 2)

ISO 6164 square flange(PN160 / series 2)



材料 (Material)

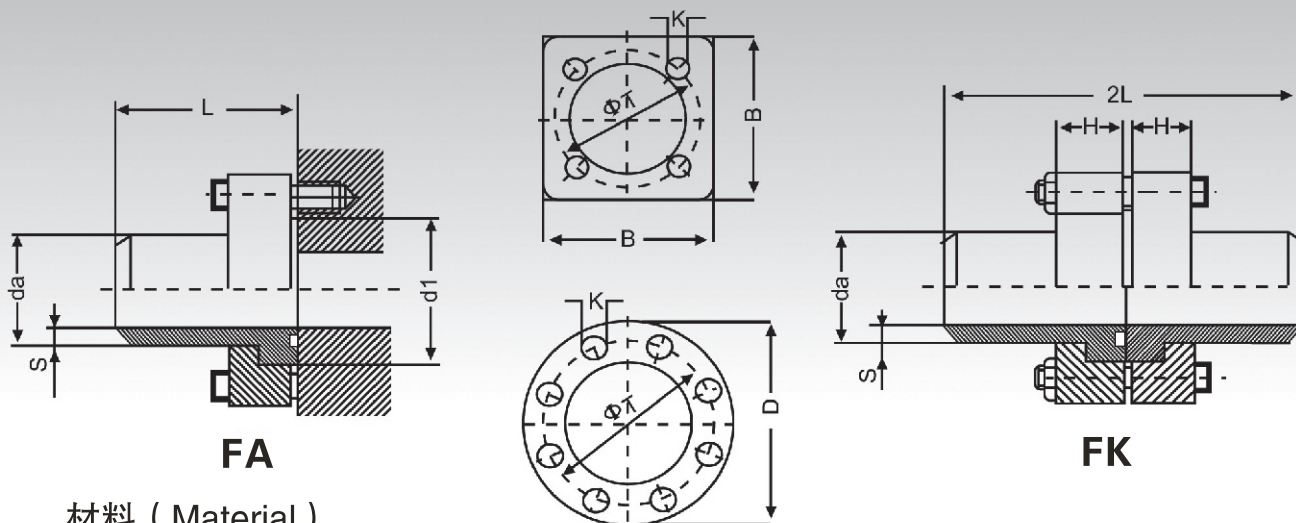
- 1、20#钢, C20 carbon steel
- 2、不锈钢AISI 304/316L

最大工作压力Max.w.p: 64kg/cm

订货说明: da*s 代表接管的焊接尺寸, 订货请标注

产品型号 part No.	尺寸参数 dimension								配用附件		单重 Wt Kg
	daxs	B	D	H	T	d1	K	L	螺栓 bolt	O形圈 o-ring	
FA FK 12-2	16x2, 16x2.6	50	-	19	44	28	11	43	M10x35 M10x55	15.54x2.62	0.43 0.83
FA FK 16-2	20x2.5	60	-	19	54	38	11	50	M10x35 M10x55	23.47x2.62	0.62 1.20
FA FK 20-2	25x3, 27.2x3	60	-	19	54	38	11	50	M10x35 M10x55	23.47x2.62	0.62 1.20
FA FK 25-2	28x4, 30x3 30x4, 34x3	70	-	19	64	46	13	56	M12x40 M12x55	29.82x2.62	0.90 1.75
FA FK 32-2	34x5, 38x5 42.4x5	80	-	24	72	55	13	64	M12x45 M12x70	37.70x3.53	1.40 2.65
FA FK 40-2	42.4x5, 48.3x4 48.3x5, 48.3x6	90	-	29	80	60	17	68	M16x55 M16x80	42.50x3.55	2.10 4.00
FA FK 50-2	48.3x5, 48.3x6 50x6, 60.3x5 60.3x6, 3.62x6	100	-	38	98	76	17	80	M16x65 M16x100	53.34x5.33	3.10 6.00
FA FK 65-2	76.1x6.3, 76.1x7.1 76.1x8	120	-	48	118	92	21	98	M20x75 M20x120	69.22x5.33	5.50 10.60
FA FK 80-2	101.6x8.8, 101.6x10 108x12	180	-	58	175	135	32	109	M30x95 M30x150	89.60x5.7	17 33
FA FK 100-2	114.3x10, 114.3x12.5	180	-	58	175	135	32	135	M30x95 M30x150	104.60x5.7	17 33
FA FK 125-2	139.7x12.5, 140x16 152.4x12.5, 152.4x16	-	245	68	200	168	25	150	M24x100 M24x170	114.60x5.7 129.60x5.7	29 57
FA FK 150-2	177.8x17.5	-	300	80	245	205	32	190	M30x120 M30x200	164.47x6.99	48.50 95.50

ISO 6164方形法兰系列(PN250 / series 3) ISO 6164 square flange(PN250 / series 3)



材料 (Material)

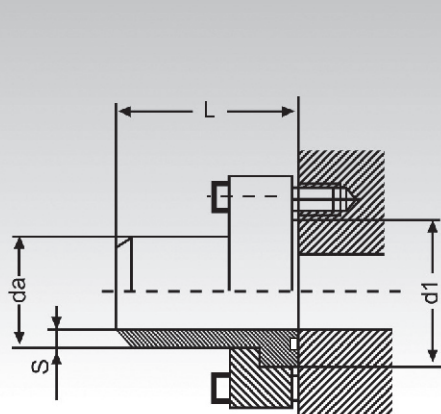
- 1、20#钢, C20 carbon steel
- 2、不锈钢AISI 304/316L

最大工作压力Max.w.p: 250kg/cm

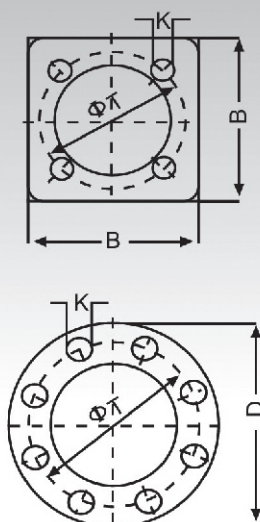
订货说明: da*s 代表接管的焊接尺寸, 订货请标注

产品型号 part No.	尺寸参数 dimension								配用附件		单重 Wt Kg
	daxs	B	D	H	T	d1	K	L	螺栓 bolt	O形圈 o-ring	
FA 10-3 FK	16x3, 18x3	50	-	19	44	28	11	43	M10x35 M10x55	15.54x2.62	0.43 0.83
FA 12-3 FK	20x3	60	-	19	54	38	11	50	M10x35 M10x55	23.47x2.62	0.62 1.20
FA 16-3 FK	21.3x2.6, 21.3x3.6 22x4, 25x4	60	-	19	54	38	11	50	M10x35 M10x55	23.47x2.62	0.62 1.20
FA 20-3 FK	25x4, 26.9x3.6 27.2x4, 30x5, 34x4.5	70	-	19	64	46	13	56	M12x40 M12x55	29.82x2.62	0.90 1.75
FA 25-3 FK	33.7x4.5, 42.4x5.6	80	-	24	72	55	13	64	M12x45 M12x70	37.70x3.53	1.40 2.65
FA 32-3 FK	42.4x5.6, 42.4x6.3	90	-	29	80	60	17	68	M16x55 M16x80	42.50x3.55	2.10 4.00
FA 40-3 FK	60.3x7.1, 60.3x8	100	-	38	98	76	17	80	M16x65 M16x100	53.34x5.33	3.10 6.00
FA 50-3 FK	76.1x10	120	-	48	118	92	21	98	M20x75 M20x120	62.97x5.33	5.50 10.60
FA 65-3 FK	76.1x10, 89x10 88.9x11	150	-	48	145	110	25	109	M24x80 M24x130	79.60x5.7	9.50 18
FA 80-3 FK	89x11, 101.6x12.5 101.6x14.2 114.3x14.2, 115x15	180	-	59	175	135	32	135	M30x95 M30x150	89.60x5.7	17 33
FA 100-3 FK	133.7x20, 139.7x17.5 139.7x20	-	245	69	200	168	25	150	M24x100 M24x170	114.60x5.7	29 57
FA 125-3 FK	168.3x20, 168.3x22	-	300	80	245	205	32	190	M30x120 M30x200	148.59x6.99	48.50 95.50
FA 150-3 FK	193.7x25	-	355	90	290	245	38	200	M36x140 M36x220	170.00x7	58 112

ISO 6164方形法兰系列(PN320 / series 4) ISO 6164 square flange(PN320 / series 4)



FA



FK

材料 (Material)

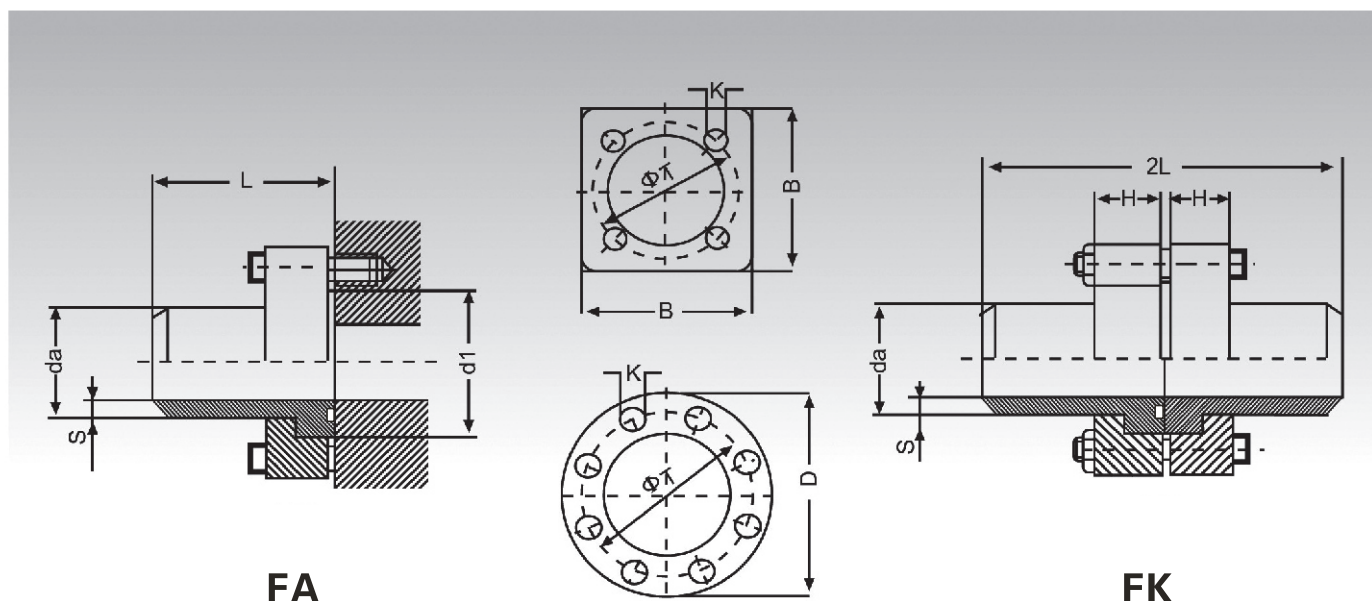
- 1、20#钢, C20 carbon steel
- 2、不锈钢AISI 304/316L

最大工作压力Max.w.p: 320kg/cm

订货说明: da*s 代表接管的焊接尺寸, 订货请标注

产品型号 part No.	尺寸参数 dimension								配件附件		单重 Wt kg
	daxs	B	D	H	T	d1	K	L	螺栓 bolt	○形圈 o-ring	
FA FK 10-4	17.2x3.6	50	-	19	44	28	11	43	M10x35 M10x55	15.54x2.62	0.43 0.83
FA FK 12-4	20x4, 21.3x3.6 21.3x4, 21.3x7.5 22x4	60	-	19	54	38	11	50	M10x35 M10x55	23.47x2.62	0.62 1.20
FA FK 16-4	26.9x4.5, 26.9x5.6	60	-	19	54	38	11	50	M10x35 M10x55	23.47x2.62	0.62 1.20
FA FK 20-4	33.7x5.6	70	-	19	64	46	13	56	M12x40 M12x55	29.82x2.62	0.90 1.75
FA FK 25-4	42.4x7.1, 42.4x8	80	-	24	72	55	13	64	M12x45 M12x70	37.70x3.53	1.40 2.65
FA FK 32-4	48.3x8	90	-	29	80	60	17	68	M16x55 M16x80	42.50x3.55	2.10 4.00
FA FK 40-4	60.3x10, 60.3x12.5	100	-	38	98	76	17	80	M16x65 M16x100	53.34x5.33	3.10 6.00
FA FK 50-4	76.1x12.5	120	-	48	118	92	21	98	M20x75 M20x120	62.87x5.33	5.50 10.60
FA FK 65-4	76.1x12.5, 88.9x14.2	150	-	48	145	110	25	109	M24x80 M24x130	79.60x5.7	9.50 18
FA FK 80-4	114.3x17.5, 114.3x20	180	-	59	175	135	32	135	M30x95 M30x150	89.60x5.7	17 33
FA FK 100-4	133.7x20, 139.7x22.2 152.4x28	-	245	69	200	168	25	150	M24x100 M24x170	114.60x5.7	29 57
FA FK 125-4	177.8x30	-	300	80	245	205	32	190	M30x120 M30x200	148.59x6.99	48.50 95.50
FA FK 150-4	193.7x30, 193.7x32 219.1x36, 219.1x38	-	355	90	290	245	38	200	M36X140 M36X220	164.47x6.99 170.00x7	58 112

ISO 6164方形法兰系列(PN400 / series 5) ISO 6164 square flange(PN400 / series 5)



材料 (Material)

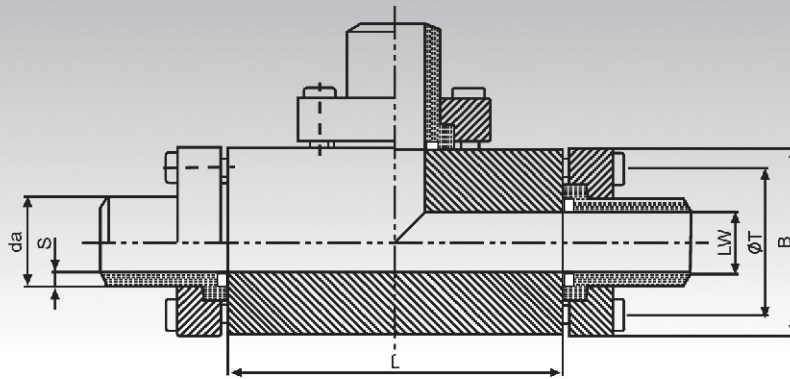
- 1、20#钢, C20 carbon steel
- 2、不锈钢AISI 304/316L

最大工作压力Max.w.p: 400kg/cm

订货说明: da*s 代表接管的焊接尺寸, 订货请标注

产品型号 part No.	尺寸参数 dimension									配用附件		单重 wt kg
	daxs	B	D	H	T	d1	K	L	螺栓 bolt	O形圈 o-ring		
FA FK 32-5	48.3X8 48.3X8.8	100	-	38	98	76	17	80	M16x65 M16x100	53.34x5.33	3.10 6.00	
FA FK 40-5	60.3X11	120	-	48	118	92	21	98	M20x75 M20x120	62.87x5.33	5.50 10.60	
FA FK 50-5	76.1X14.2	150	-	48	145	110	25	109	M24x80 M24x130	79.60x5.7	9.50 18	
FA FK 65-5	101.6X20	180	-	59	175	135	32	135	M30x95 M30x150	89.60x5.7	17 33	
FA FK 80-5	133.7X25	-	245	69	200	168	25	150	M24x100 M24x170	114.60x5.7	29 57	
FA FK 100-5	152.4X30	-	300	80	245	205	32	190	M30x120 M30x200	148.59x6.99	48.5 59.5	
FA FK 125-5	219.1X45	--	390	90	315	273	38	200	M36X140 M36X220	180.00x7	68 128	

ISO 6164方形法兰三通 ISO 6164 square flange T-block



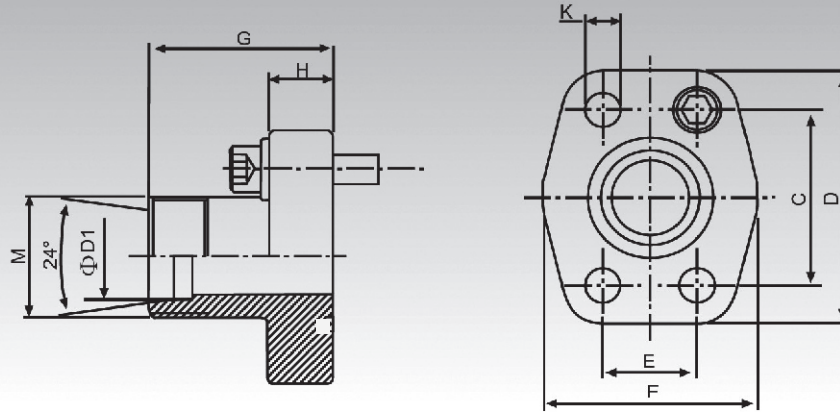
FV

材料 (Material)

- 1、20#钢, C20 carbon steel
- 2、不锈钢AISI 304/316L

产品型号 part No.	尺寸参数 dimension				三通块重量 Kg
	daxs	B	ØT	L	
FV 10-3 FV 10-4	参见 FA 10-3 FA 10-4	50	44	97	1.6
FV 12-3 FV 12-4	参见 FA 12-3 FA 12-4	60	54	106	2.6
FV 16-3 FV 16-4	参见 FA 16-3 FA 16-4	60	54	106	2.6
FV 20-3 FV 20-4	参见 FA 20-3 FA 20-4	70	64	115	3.9
FV 25-3 FV 25-4	参见 FA 25-3 FA 25-4	80	72	123	5.4
FV 32-3 FV 32-4	参见 FA 32-3 FA 32-4	90	80	140	7.3
FV 40-3 FV 40-4	参见 FA 40-3 FA 40-4	100	98	160	10
FV 50-3 FV 50-4	参见 FA 50-3 FA 50-4	120	118	180	16
FV 65-3 FV 65-4	参见 FA 65-3 FA 65-4	150	145	200	27
FV 80-3 FV 80-4	参见 FA 80-3 FA 80-4	180	175	260	49

SAE24°内锥公制螺纹法兰 SAE flange with metric 24° DIN3901/3902



AFM

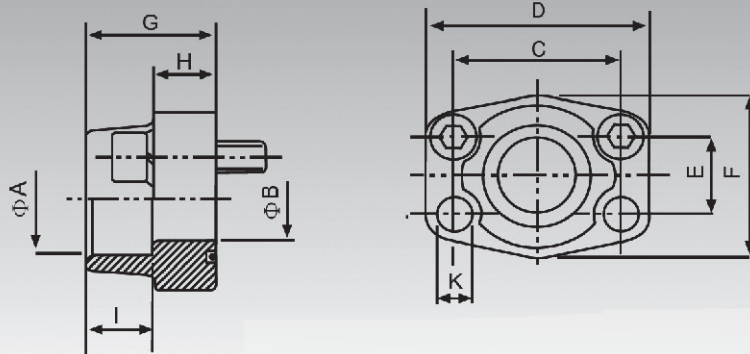
材料 (Material)

- 1、45#钢, C45 carbon steel
- 2、不锈钢AISI 304/316L

normal flange size.	产品型号 part No.	尺寸参数 dimension								配用附件		单重 Wt	最大 工作压力 MAX.W.P		
		ΦD1	C	D	E	F	G	H	K	M	螺栓 bolt			○形圈 o-ring	
inch	轻系列 3000 psi													kg	Kg/cm ²
1/2"	AFM 15-3	15L	38.10	54	17.48	46	47	16	9	M22X1.5	M8X25	18.66X3.53	0.35	315	
3/4"	AFM 20-3	22L	47.63	65	22.23	50	52	18	11	M30X2.0	M10X30	25.00X3.53	0.60	160	
1"	AFM 25-3	28L	52.37	70	26.19	55	60	18	11	M36X2.0	M10X30	32.92X3.53	0.80	160	
1 1/4"	AFM 32-3	35L	58.72	79	30.18	68	60	21	11.5	M45X2.0	M10X30	37.70X3.53	1.00	160	
1 1/2"	AFM 40-3	42L	69.85	93	35.71	78	70	25	13.5	M52X2.0	M12X45	47.22X3.53	1.50	160	
	重系列 6000 psi														
1/2"	AFM 15-6	16S	40.49	56	18.24	48	47	16	9	M24X1.5	M8X30	18.66X3.53	0.40	400	
3/4"	AFM20-6	20S	50.80	71	23.80	55	52	18	11	M30X2.0	M10X35	25.00X3.53	0.80	400	
1"	AFM 25-6	25S	57.15	81	27.76	65	60	21	13	M36X2.0	M12X45	32.92X3.53	1.00	400	
1 1/4"	AFM 32-6	30S	66.68	95	31.75	78	68	24	15	M42X2.0	M14X50	37.70X3.53	1.60	400	
1 1/2"	AFM 40-6	38S	79.38	112	36.50	94	72	27	17	M52X2.0	M16X55	47.22X3.53	2.20	315	

SAE沉插式焊接法兰

SAE socket welding flange



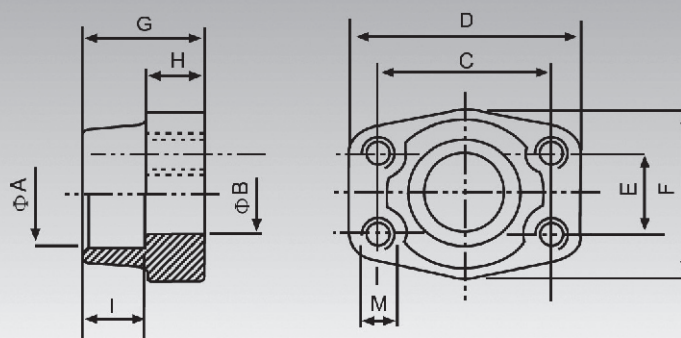
AFS-M

材料 (Material)

- 1、20#钢, C20 carbon steel
- 2、不锈钢AISI 304/316L

normal flange size.	产品型号 part No.	尺寸参数 dimension										配用附件		单重 Wt	最大 工作压力 MAX.W.P		
		A	B	C	D	E	F	G	H	I	K	螺栓 bolt	○形圈 o-ring				
inch	轻系列 3000 psi															kg	Kg/cm ²
1/2"	AFS 301S	21.60	13	38.10	54	17.48	46	36	16	19	9	M8X30	18.66X3.53	0.25	350		
3/4"	AFS 302S	27.20	19	47.63	65	22.23	50	36	18	19	11	M10X35	25.00X3.53	0.39	350		
3/4"	AFS 302S-25	25.30	19	47.63	65	22.23	50	36	18	19	11	M10X35	25.00X3.53	0.39	350		
1"	AFS 303S	34.00	25	52.37	70	26.19	55	38	18	19	11	M10X35	32.92X3.53	0.49	315		
1 1/4"	AFS 304S	42.80	32	58.72	79	30.18	68	41	21	22	11.5	M10X40	37.70X3.53	0.71	250		
1 1/4"	AFS 304S-38	38.30	32	58.72	79	30.18	68	41	21	22	11.5	M10X40	37.70X3.53	0.71	250		
1 1/2"	AFS305S	48.60	38	69.85	93	35.71	78	45	25	24	13.5	M12X45	47.22X3.53	1.13	200		
1 1/2"	AFS 305S-50	50.50	38	69.85	93	35.71	78	45	25	24	13.5	M12X45	47.22X3.53	1.13	200		
2"	AFS 306S	61.00	51	77.77	102	42.88	90	45	25	26	13.5	M12X45	56.75X3.53	1.30	200		
2 1/2"	AFS 307S	76.60	63	88.90	114	50.80	105	50	25	30	13.5	M12X45	69.45X3.53	1.60	160		
3"	AFS 308S	90.50	73	106.38	134	61.93	124	50	27	34	17	M16X50	85.32X3.53	2.30	138		
3 1/2"	AFS 309S	103.00	89	120.65	152	69.85	136	48	27	34	17	M16X50	98.02X3.53	2.50	35		
4"	AFS 310S	115.50	99	130.18	162	77.77	146	48	27	34	17	M16X50	110.72X3.53	2.90	35		
5"	AFS 311S	142.00	120	152.40	184	92.08	180	50	28	28	17	M16X55	136.12X3.53	4.00	35		
	重系列 6000 psi																
1/2"	AFS 601S	21.60	13	40.49	56	18.24	48	36	16	19	9	M8X30	18.66X3.53	0.30	400		
3/4"	AFS 602S	27.20	19	50.80	71	23.80	55	36	21	22	11	M10X35	25.00X3.53	0.56	400		
1"	AFS 603S	34.00	25	57.15	81	27.76	65	42	25	22	13	M12X45	32.92X3.53	0.85	400		
1 1/4"	AFS 604S	42.80	32	66.68	95	31.75	78	45	27	25	15	M14X50	37.70X3.53	1.21	400		
1 1/4"	AFS 604S-38	38.30	32	66.68	95	31.75	78	45	27	25	15	M14X50	37.70X3.53	1.21	400		
1 1/2"	AFS 605S	48.60	38	79.38	112	36.50	94	50	30	28	17	M16X55	47.22X3.53	1.90	400		
2"	AFS 606S	61.00	51	96.82	134	44.45	114	65	37	32	21	M20X70	56.75X3.53	3.40	400		
2 1/2"	AFS 607S	76.60	63	123.83	180	58.72	152	80	45	30	25	M24X85	75.57X5.33	8.3	400		
3"	AFS 608S	90.50	73	152.40	208	71.43	178	90	55	30	32	M30X100	88.27X5.33	13.50	400		

SAE沉插式焊接法兰 SAE socket welding flange



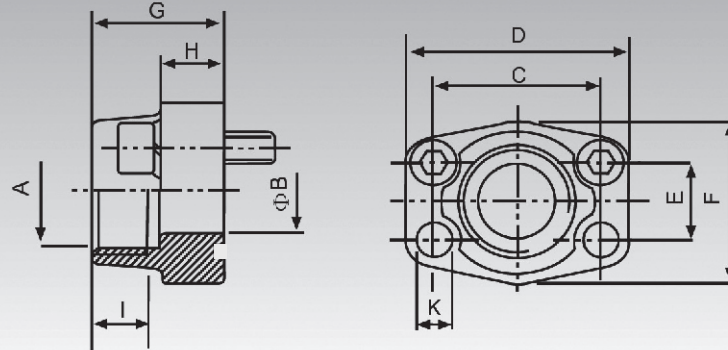
GFS-M

材料 (Material)

- 1、20#钢, C20 carbon steel
- 2、不锈钢AISI 304/316L

normal flange size.	产品型号 part No.	尺寸参数 dimension										单重 Wt	最大 工作压力 MAX.W.P
		A	B	C	D	E	F	G	H	I	M		
inch	轻系列 3000 psi											kg	Kg/cm ²
1/2"	GFS 15-3M	21.60	13	38.10	54	17.48	46	36	16	19	M8	0.25	350
3/4"	GFS 20-3M	27.20	19	47.63	65	22.23	50	36	18	19	M10	0.39	350
3/4"	GFS 20-3M-25	25.30	19	47.63	65	22.23	50	36	18	19	M10	0.39	350
1"	GFS 25-3M	34.00	25	52.37	70	26.19	55	38	18	19	M10	0.49	315
1 1/4"	GFS 32-3M	42.80	32	58.72	79	30.18	68	41	21	22	M10	0.71	250
1 1/4"	GFS 32-3M-38	38.30	32	58.72	79	30.18	68	41	21	22	M10	0.71	250
1 1/2"	GFS 40-3M	48.60	38	69.85	93	35.71	78	45	25	24	M12	1.13	200
2"	GFS 40-3M-50	50.50	38	69.85	93	35.71	78	45	25	24	M12	1.30	200
2"	GFS 50-3M	61.00	51	77.77	102	42.88	90	45	25	26	M12	1.30	200
2 1/2"	GFS 65-3M	76.60	63	88.90	114	50.80	105	50	25	30	M12	1.60	160
3"	GFS 80-3M	90.50	73	106.38	134	61.93	124	50	27	34	M16	2.30	138
3 1/2"	GFS 90-3M	103.00	89	120.65	152	69.85	136	48	27	34	M16	2.50	35
4"	GFS 100-3M	115.50	99	130.18	162	77.77	146	48	27	34	M16	2.90	35
5"	GFS 125-3M	142.00	120	152.40	184	92.08	180	50	28	28	M16	4.00	35
	重系列 6000 psi												
1/2"	GFS 15-6M	21.60	13	40.49	56	18.24	48	36	16	19	M8	0.30	400
3/4"	GFS 20-6M	27.20	19	50.80	71	23.80	55	36	21	22	M10	0.56	400
1"	GFS 25-6M	34.00	25	57.15	81	27.76	65	42	25	22	M12	0.85	400
1 1/4"	GFS 32-6M	42.80	32	66.68	95	31.75	78	45	27	25	M14	1.21	400
1 1/4"	GFS 32-6M-38	38.30	32	66.68	95	31.75	78	45	27	25	M14	1.21	400
1 1/2"	GFS 40-6M	48.60	38	79.38	112	36.50	94	50	30	28	M16	1.90	400
2"	GFS 50-6M	61.00	51	96.82	134	44.45	114	65	37	32	M20	3.40	400
2 1/2"	GFS 65-6M	76.50	63	123.83	180	58.73	152	80	45	30	M24	8.3	400
3"	GFS 80-6M	90.50	73	152.40	208	71.43	178	90	55	30	M30	13.5	400

SAE英制管螺纹法兰 SAE BSPP thread flange



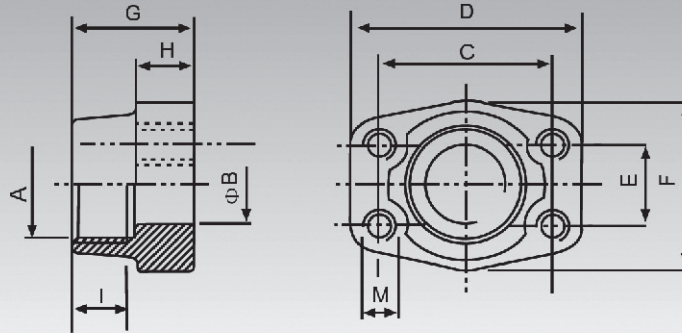
AFS-G

材料 (Material)

- 1、45#钢, C45 carbon steel
- 2、不锈钢AISI 304/316L

normal flange size.	产品型号 part No.	尺寸参数 dimension										配用附件		单重 Wt	最大 工作压力 MAX.W.P		
		A	B	C	D	E	F	G	H	I	K	螺栓 bolt	O形圈 o-ring				
inch	轻系列 3000 psi															kg	Kg/cm ²
1/2"	AFS 15-3G	G1/2"	13	38.10	54	17.48	46	36	16	19	9	M8X30	18.66X3.53	0.25	350		
3/4"	AFS 20-3G	G3/4"	19	47.63	65	22.23	50	36	18	19	11	M10X35	25.00X3.53	0.39	350		
1"	AFS 25-3G	G1"	25	52.37	70	26.19	55	38	18	22	11	M10X35	32.92X3.53	0.49	315		
1 1/4"	AFS 32-3G	G1 1/4"	32	58.72	79	30.18	68	41	21	22	11.5	M10X40	37.70X3.53	0.71	250		
1 1/2"	AFS 40-3G	G1 1/2"	38	69.85	93	35.71	78	45	25	24	13.5	M12X45	47.22X3.53	1.13	200		
2"	AFS 50-3G	G2"	51	77.77	102	42.88	90	45	25	30	13.5	M12X45	56.75X3.53	1.30	200		
2 1/2"	AFS 65-3G	G2 1/2"	63	88.90	114	50.80	105	50	25	30	13.5	M12X45	69.45X3.53	1.60	160		
3"	AFS 80-3G	G3"	73	106.38	134	61.93	124	50	27	34	17	M16X50	85.32X3.53	2.30	138		
3 1/2"	AFS 90-3G	G3 1/2"	89	120.65	152	69.85	136	48	27	34	17	M16X50	98.02X3.53	2.50	35		
4"	AFS 100-3G	G4"	99	130.18	162	77.77	146	48	27	34	17	M16X50	110.72X3.53	2.90	35		
5"	AFS 125-3G	G5"	120	152.40	184	92.08	180	50	28	30	17	M16X55	136.12X3.53	4.00	35		
	重系列 6000 psi																
1/2"	AFS 15-6G	G1/2"	13	40.49	56	18.24	48	36	16	19	9	M8X30	18.66X3.53	0.30	400		
3/4"	AFS 20-6G	G3/4"	19	50.80	71	23.80	55	36	21	22	11	M10X35	25.00X3.53	0.56	400		
1"	AFS 25-6G	G1"	25	57.15	81	27.76	65	42	25	22	13	M12X45	32.92X3.53	0.85	400		
1 1/4"	AFS 32-6G	G1 1/4"	32	66.68	95	31.75	78	45	27	25	15	M14X50	37.70X3.53	1.21	400		
1 1/2"	AFS 40-6G	G1 1/2"	38	79.38	112	36.50	94	50	30	28	17	M16X55	47.22X3.53	1.90	400		
2"	AFS 50-6G	G2"	51	96.82	134	44.45	114	65	37	32	21	M20X70	56.75X3.53	3.40	400		
2 1/2"	AFS 65-6G	G2 1/2"	63	123.83	180	58.73	152	80	45	34	25	M24X85	75.57X5.33	8.3	400		
3"	AFS 80-6G	G3"	73	152.4	208	71.43	178	90	55	38	32	M30X100	88.27X5.33	13.5	400		

SAE英制管螺纹法兰 SAE BSPP thread flange



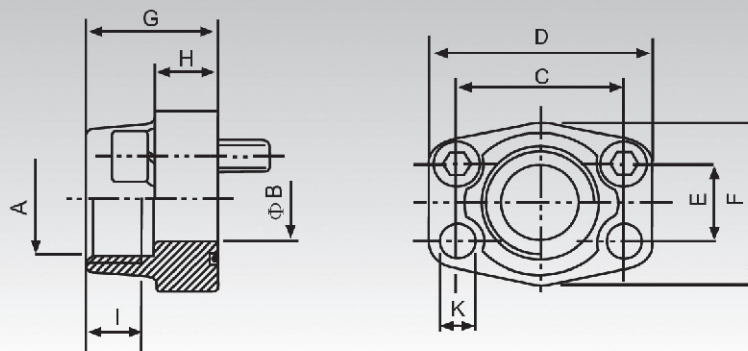
GFS-G

材料 (Material)

- 1、45#钢, C45 carbon steel
- 2、不锈钢AISI 304/316L

normal flange size.	产品型号 part No.	尺寸参数 dimension										单重 Wt	最大 工作压力 MAX.W.P	
		A	B	C	D	E	F	G	H	I	M			
inch	轻系列 3000 psi												kg	Kg/cm ²
1/2"	GFS 15-3G	G1/2"	13	38.10	54	17.48	46	36	16	19	M8	0.25	350	
3/4"	GFS 20-3G	G3/4"	19	47.63	65	22.23	50	36	18	19	M10	0.39	350	
1"	GFS 25-3G	G1"	25	52.37	70	26.19	55	38	18	19	M10	0.49	315	
1 1/4"	GFS 32-3G	G1 1/4"	32	58.72	79	30.18	68	41	21	22	M10	0.71	250	
1 1/2"	GFS 40-3G	G1 1/2"	38	69.85	93	35.71	78	45	25	24	M12	1.13	200	
2"	GFS 50-3G	G2"	51	77.77	102	42.88	90	45	25	30	M12	1.30	200	
2 1/2"	GFS 65-3G	G2 1/2"	63	88.90	114	50.80	105	50	25	30	M12	1.60	160	
3"	GFS 80-3G	G3"	73	106.38	134	61.93	124	50	27	34	M16	2.30	138	
3 1/2"	GFS 90-3G	G3 1/2"	89	120.65	152	69.85	136	48	27	34	M16	2.50	35	
4"	GFS 100-3G	G4"	99	130.18	162	77.77	146	48	27	34	M16	2.90	35	
5"	GFS 125-3G	G5"	120	152.40	184	92.08	180	50	28	30	M16	4.00	35	
	重系列 6000 psi													
1/2"	GFS 15-6G	G1/2"	13	40.49	56	18.24	48	36	16	19	M8	0.30	400	
3/4"	GFS 20-6G	G3/4"	19	50.80	71	23.80	55	36	21	22	M10	0.56	400	
1"	GFS 25-6G	G1"	25	57.15	81	27.76	65	42	25	22	M12	0.85	400	
1 1/4"	GFS 32-6G	G1 1/4"	32	66.68	95	31.75	78	45	27	25	M14	1.21	400	
1 1/2"	GFS 40-6G	G1 1/2"	38	79.38	112	36.50	94	50	30	28	M16	1.90	400	
2"	GFS 50-6G	G2"	51	96.82	134	44.45	114	65	37	32	M20	3.40	400	
2 1/2"	GFS 65-6G	G2 1/2"	63	123.83	180	58.73	152	80	45	34	M24	8.3	400	
2"	GFS 80-6G	G3"	73	152.40	208	71.43	178	90	55	38	M30	13.5	400	

SAE美制锥管螺纹 (NPT) 法兰 SAE NPT thread flange



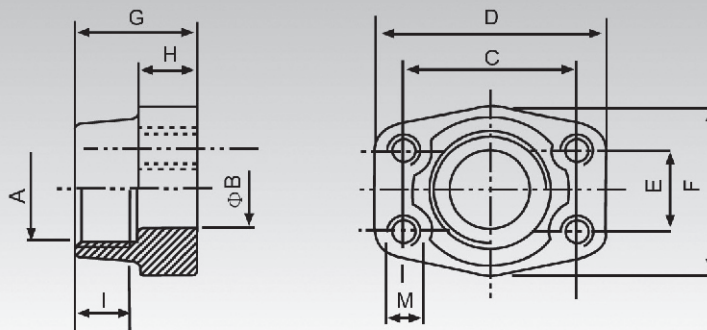
AFS-U

材料 (Material)

- 1、45#钢, C45 carbon steel
- 2、不锈钢AISI 304/316L

normal flange size.	产品型号 part No.	尺寸参数 dimension										配用附件		单重 Wt kg	最大 工作压力 MAX.W.P Kg/cm ²		
		A	B	C	D	E	F	G	H	I	K	螺栓 bolt	○形圈 o-ring				
inch	轻系列 3000 psi																
1/2"	AFS 15-3U NPT1/2"	13	38.10	54	17.48	46	36	16	19	9	M8X30	18.66X3.53	0.25	350			
3/4"	AFS 20-3U NPT3/4"	19	47.63	65	22.23	50	36	18	19	11	M10X35	25.00X3.53	0.39	350			
1"	AFS 25-3U NPT1"	25	52.37	70	26.19	55	38	18	19	11	M10X35	32.92X3.53	0.49	315			
1 1/4"	AFS 32-3U NPT1 1/4"	32	58.72	79	30.18	68	41	21	22	11.5	M10X40	37.70X3.53	0.71	250			
1 1/2"	AFS 40-3U NPT1 1/2"	38	69.85	93	35.71	78	45	25	24	13.5	M12X45	47.22X3.53	1.13	200			
2"	AFS 50-3U NPT2"	51	77.77	102	42.88	90	45	25	26	13.5	M12X45	56.75X3.53	1.30	200			
2 1/2"	AFS 65-3U NPT2 1/2"	63	88.90	114	50.80	105	50	25	30	13.5	M12X45	69.45X3.53	1.60	160			
3"	AFS 80-3U NPT3"	73	106.38	134	61.93	124	50	27	34	17	M16X50	85.32X3.53	2.30	138			
	重系列 6000 psi																
1/2"	AFS 15-6U NPT1/2"	13	40.49	56	18.24	48	36	16	19	9	M8X30	18.66X3.53	0.30	400			
3/4"	AFS 20-6U NPT3/4"	19	50.80	71	23.80	55	36	21	22	11	M10X35	25.00X3.53	0.56	400			
1"	AFS 25-6U NPT1"	25	57.15	81	27.76	65	42	25	22	13	M12X45	32.92X3.53	0.85	400			
1 1/4"	AFS 32-6U NPT1 1/4"	32	66.68	95	31.75	78	45	27	25	15	M14X50	37.70X3.53	1.21	400			
1 1/2"	AFS 40-6U NPT1 1/2"	38	79.38	112	36.50	94	50	30	28	17	M16X55	47.22X3.53	1.90	400			
2"	AFS 50-6U NPT2"	51	96.82	134	44.45	114	65	37	32	21	M20X70	56.75X3.53	3.40	400			

SAE美制锥管螺纹 (NPT) 法兰 SAE NPT thread flange



GFS--N

材料 (Material)

1. 碳钢 Q345B, 表面防锈油 : GFS--N

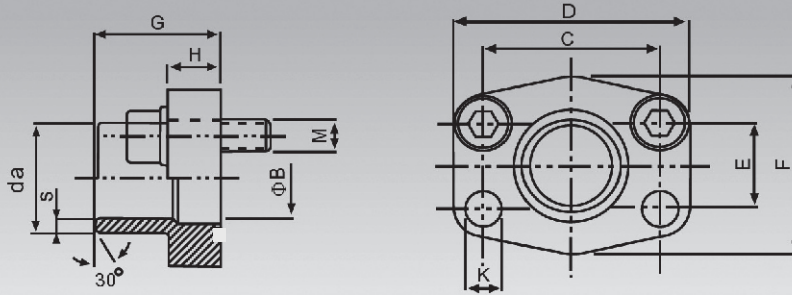
Carbon steel Q345B, blank oiled

2. 不锈钢 AISI 321/304 : GFS--N-X

3. 不锈钢 AISI 316L : GFS--N-XX

normal flange size.	产品型号 part No.	尺寸参数 dimension										单重 Wt	最大工作压力 MAX.W.P	
		A	B	C	D	E	F	G	H	I	M			
inch	轻系列 3000 psi												kg	Kg/cm ²
1/2"	GFS 301N NPT1/2"	13	38.10	54	17.48	46	36	16	19	M8	0.25	350		
3/4"	GFS 302N NPT3/4"	19	47.63	65	22.23	50	36	18	19	M10	0.39	350		
1"	GFS 303N NPT1"	25	52.37	70	26.19	55	38	18	22	M10	0.49	315		
1 1/4"	GFS 304N NPT1 1/4"	32	58.72	79	30.18	68	41	21	22	M10	0.71	250		
1 1/2"	GFS305N NPT1 1/2"	38	69.85	93	35.71	78	45	25	24	M12	1.13	200		
2"	GFS 306N NPT2"	51	77.77	102	42.88	90	45	25	30	M12	1.30	200		
2 1/2"	GFS 307N NPT2 1/2"	63	88.90	114	50.80	105	50	25	30	M12	1.60	160		
3"	GFS 308N NPT3"	73	106.38	134	61.93	124	50	27	34	M16	2.30	138		
	重系列 6000 psi													
1/2"	GFS 601N NPT1/2"	13	40.49	56	18.24	48	36	16	19	M8	0.30	400		
3/4"	GFS 602N NPT3/4"	19	50.80	71	23.80	55	36	21	22	M10	0.56	400		
1"	GFS 603N NPT1"	25	57.15	81	27.76	65	42	25	22	M12	0.85	400		
1 1/4"	GFS 604N NPT1 1/4"	32	66.68	95	31.75	78	45	27	25	M14	1.21	400		
1 1/2"	GFS 605N NPT1 1/2"	38	79.38	112	36.50	94	50	30	28	M16	1.90	400		
2"	GFS 606N NPT2"	51	96.82	134	44.45	114	65	37	32	M20	3.40	400		

SAE 对焊焊接法兰 SAE butt welding flange



AFS-T

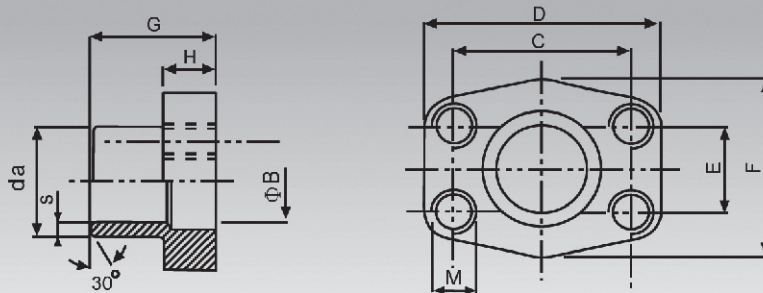
材料 (Material)

订货说明: da*s 代表接管的焊接尺寸, 订货请标注

- 1、20#钢, C20 carbon steel
- 2、不锈钢AISI 304/316L

normal flange size, inch	产品型号 part No.	尺寸参数 dimension										配件附件		单重 WT kg	最大工作压力 MAX.W.P Kg/cm ²
		da x s	B	C	D	E	F	G	H	K	螺栓 bolt	○形圈 o-ring			
轻系列 3000 psi															
1/2"	AFS 15-3T	16x2, 16x2.5, 17.5x2.25 18x3, 20x2.5, 21.6x2.6 21.6x4.3, 22x3, 22x4	13	38.10	54	17.48	46	36	16	9	M8X30	18.66X3.53	0.25	350	
3/4"	AFS 20-3T	25x3, 26.9x3.6, 28x3.2, 28x4 28x4.5	19	47.63	65	22.23	50	36	18	11	M10X35	25.00X3.53	0.39	350	
1"	AFS 25-3T	28x2.5, 28x4, 30x4, 33.7x3.6 34x4.5, 34x5, 35x4, 35x4.5 35x5	25	52.37	70	26.19	55	38	18	11	M10X35	32.92X3.53	0.46	315	
1 1/4"	AFS 32-3T	33.7x4, 38x3, 38x4, 42.4x3.6 42.4x4, 42.4x5, 42.8x5.4 43x3.5	32	58.72	79	30.18	68	41	21	11.5	M10X40	37.70X3.53	0.66	250	
1 1/2"	AFS 40-3T	38x4, 42.4x3.2, 42.4x4, 48.3x3.2 48.3x4, 48.3x4.5, 48.3x6.3, 48.6x5.3 49x3.5, 49x5, 50x3, 50x4, 50x6	38	69.85	93	35.71	78	45	25	13.5	M12X45	47.22X3.53	1.05	200	
2"	AFS 50-3T	34x4.5, 42.4x4, 48.3x3.2 49x3.5, 60.3x3.2, 60.3x4 60.3x5.6, 61x4, 61x5, 64x3	51	77.77	102	42.88	90	45	25	13.5	M12X45	56.75X3.53	1.19	200	
2 1/2"	AFS 65-3T	74x4, 76.1x3.2, 76.1x4 76.1x5.5, 77x3.5, 77x7	63	88.90	114	50.80	105	50	25	13.5	M12X45	69.45X3.53	1.40	160	
3"	AFS 80-3T	76.1x4, 76.1x7.1, 89x4, 89x5.5 89x6, 89x11, 90x4, 92x9.5	73	106.38	135	61.93	124	50	27	17	M16X50	85.32X3.53	2.15	138	
3 1/2"	AFS 90-3T	89x4, 103x7.1, 108x10	89	120.65	152	69.85	136	48	27	17	M16X50	98.02X3.53	2.40	35	
4"	AFS 100-3T	88.9x3.6, 114.3x4, 114.3x8 115.8x2.25	99	130.18	162	77.77	146	48	27	17	M16X50	110.72X3.53	2.85	35	
5"	AFS 125-3T	140x4.5, 140x6.5, 140x10	120	152.40	184	92.08	180	50	28	17	M16X55	136.12X3.53	4.00	35	
重系列 6000 psi															
1/2"	AFS 15-6T	16x2.5, 17.5x2.25, 18x3, 20x3 21.6x4.3	13	40.49	56	18.24	48	36	16	9	M8X30	18.66X3.53	0.26	400	
3/4"	AFS 20-6T	20x3, 22x3, 25x3, 25x4 26.9x3.6, 26.9x5.6, 28x4.5	19	50.80	71	23.80	55	36	21	11	M10X35	25.00X3.53	0.50	400	
1"	AFS 25-6T	25x3, 25x4, 28x3, 30x3, 30x4 30x5, 33.7x7.1, 34x4.5, 34x5	25	57.15	81	27.76	65	42	25	13	M12X45	32.92X3.53	0.76	400	
1 1/4"	AFS 32-6T	30x4, 30x5, 38x4, 38x5, 38x6 38x6, 42.4x4, 42.4x5, 42.4x6 42.4x8.8, 42.8x5.4, 42.8x7	32	66.68	95	31.75	78	45	27	15	M14X50	37.70X3.53	1.20	400	
1 1/2"	AFS 40-6T	38x5, 38x6, 48.3x6.3, 48.3x8 48.3x8.8, 48.3x10, 48.6x5.3 48.6x7.1, 49x8.5, 50x8 60.3x10, 61x10.5	38	79.38	112	36.50	94	50	30	17	M16X55	47.22X3.53	1.65	400	
2"	AFS 50-6T	60.3x10, 60.3x12.5, 61x5 61x8, 61x9, 61x10.5, 63x8 76.1x8, 76.1x10, 76.1x12.5	51	96.82	134	44.45	114	65	37	21	M20X70	56.75X3.53	3.15	400	
2 1/2"	AFS 65-6T	76.1x12.5, 88.9x14.2, 89x11, 90x14.5,	63	123.83	180	58.73	152	80	45	25	M24X85	75.57X5.33	8.3	400	
3"	AFS 80-6T	90x12, 114.3x14.2 114.3x17.5	73	152.40	208	71.43	178	90	55	32	M30X100	88.27X5.33	13.5	400	

SAE 对焊焊接法兰 SAE butt welding flange



GFS-T

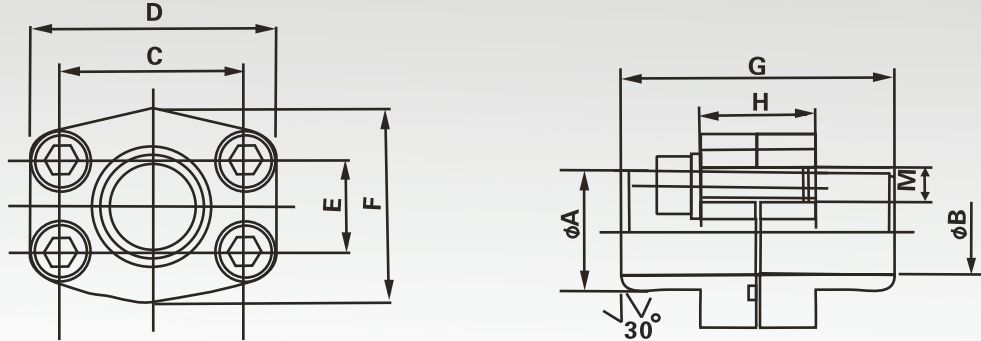
材料 (Material)

- 1、20#钢, C20 carbon steel
- 2、不锈钢 AISI 304/316L

订货说明: da*s 代表接管的焊接尺寸, 订货请标注

normal flange size, inch	产品型号 part No.	尺寸参数 dimension									单重 Wt kg	最大工作压力 MAX.W.P Kg/cm ²
		da x s	B	C	D	E	F	G	H	M		
轻系列 3000 psi												
1/2"	GFS 15-3T	16x2, 16x2.5, 17.5x2.25 18x3, 20x2.5, 21.6x2.6 21.6x4.3, 22x3, 22x4	13	38.10	54	17.48	46	36	16	M8	0.25	350
3/4"	GFS 20-3T	25x3, 26.9x3.6, 28x3.2, 28x4 28x4.5	19	47.63	68	22.23	50	36	18	M10	0.39	350
1"	GFS 25-3T	28x2.5, 28x4, 30x4, 33.7x3.6 34x4.5, 34x5, 35x4, 35x4.5 35x5	25	52.37	70	26.19	55	38	18	M10	0.46	315
1 1/4"	GFS 32-3T	33.7x4, 38x3, 38x4, 42.4x3.6 42.4x4, 42.4x5, 42.8x5.4 43x3.5	32	58.72	79	30.18	68	41	21	M10	0.66	250
1 1/2"	GFS 40-3T	38x4, 42.4x3.2, 42.4x4 43.3x3.2, 48.3x4, 48.3x4.5 48.3x6.3, 48.6x5.3, 49x3.5 49x5.5, 50x3, 50x4, 50x6	38	69.85	93	35.71	78	45	25	M12	1.05	200
2"	GFS 50-3T	34x4.5, 42.4x4, 48.3x3.2 49x3.5, 60.3x3.2, 60.3x4 60.3x5.6, 61x4, 61x5, 64x3	51	77.77	102	42.88	90	45	25	M12	1.19	200
2 1/2"	GFS 65-3T	74x4, 76.1x3.2, 76.1x4 76.1x5.5, 77x3.5, 77x7	63	88.90	114	50.80	105	50	25	M12	1.40	160
3"	GFS 80-3T	76.1x4, 76.1x7.1, 89x4, 89x5.5 89x8, 89x11, 90x4, 92x9.5	73	106.38	135	61.93	124	50	27	M16	2.15	138
3 1/2"	GFS 90-3T	89x4, 103x7.1, 108x10	89	120.65	152	69.85	136	48	27	M16	2.40	35
4"	GFS 100-3T	88.9x3.6, 114.3x4, 114.3x8 115.5x8.25	99	130.18	162	77.77	146	48	27	M16	2.85	35
5"	GFS 125-3T	140x4.5, 140x6.5, 140x10	120	152.40	184	92.08	180	50	28	M16	4.00	35
重系列 6000 psi												
1/2"	GFS 15-6T	16x2.5, 17.5x2.25, 18x3, 20x3 21.6x4.3	13	40.49	56	18.24	48	36	16	M8	0.26	400
3/4"	GFS 20-6T	20x3, 22x3, 25x3, 25x4 26.6x3.6, 26.9x5.6, 28x4.5	19	50.80	71	23.80	55	36	21	M10	0.50	400
1"	GFS 25-6T	25x3, 25x4, 28x3, 30x3, 30x4 30x5, 33.7x7.1, 34x4.5, 34x5	25	57.15	81	27.76	65	42	25	M12	0.76	400
1 1/4"	GFS 32-6T	30x4, 30x5, 38x4, 38x5, 38x6 38x8, 42.4x4, 42.4x5, 42.4x6 42.4x8.8, 42.8x5.4, 42.8x7	32	66.68	95	31.75	78	45	27	M14	1.20	400
1 1/2"	GFS 40-6T	38x5, 38x6, 48.3x6.3, 48.3x8 48.3x8.8, 48.3x10, 48.6x5.3 48.6x7.1, 49x8.5, 50x8 60.3x10, 61x10.5	38	79.38	112	36.50	94	50	30	M16	1.65	400
2"	GFS 50-6T	60.3x10, 60.3x12.5, 61x5 61x8, 61x9, 61x10.5, 63x8 76.1x8, 76.1x10, 76.1x12.5	51	96.82	134	44.45	114	65	37	M20	3.15	400
2 1/2"	GFS 65-6T	76.1x12.5, 90x14.5, 88.9x14.2 89x11	63	123.83	180	58.73	152	80	45	M24	8.3	400
3"	GFS 80-6T	90x12, 114.3x14.2 114.3x17.5	73	152.40	208	71.43	178	90	55	M30	13.5	400

对焊法兰组合件 Butt weld flange coupling



DFSB

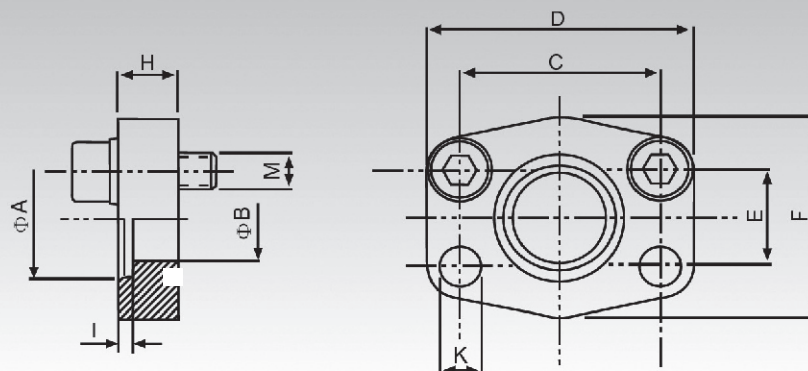
材料 (Material)

- 1、20#钢, C20 carbon steel
- 2、不锈钢AISI 304/316L

Maxmum recommended working pnessusre kg/om ²	Nominal Aange size (nch)	Type	Dimensions								Bolt		Weight kg
			A	B	C	D	E	F	G	H	M		
											melt.	Unc	
		Standard pressune											
35	1/2 "	DFSB15-3	21.3	13.9	38.10	54	17.48	46	72	32	M8x40	5/16X11/4	0.56
35	3/4 "	DFSB20-3	26.7	18.9	47.63	65	22.23	52	72	36	M10X45	3/8X1/2	0.78
35	1 "	DFSB25-3	33.4	24.2	52.37	70	26.19	59	76	36	M10X50	3/8X1/2	0.92
138	1 1/4 "	DFSB32-3	42.2	32.4	58.72	79	30.18	73	82	42	M10X45	7/16X1/2	1.32
160	1 1/2 "	DFSB40-3	48.3	38.1	69.85	93	35.71	83	88	50	M12X55	1/2X13/4	2.10
200	2 "	DFSB50-3	60.3	49.3	77.77	102	42.88	97	90	50	M12X55	1/2X13/4	2.38
200	2 1/2 "	DFSB65-3	73.0	59.0	88.90	114	50.80	109	100	50	M12X55	1/2X13/4	2.80
250	3 "	DFSB80-3	88.9	73.7	106.38	134	61.93	131	100	54	M16X70	5/8X2	4.30
315	3 1/2 "	DFSB90-3	101.6	85.4	120.65	152	69.85	140	96	54	M16X70	5/8X2	4.80
350	4 "	DFSB100-3	114.3	97.1	130.18	162	77.77	152	96	54	M16X70	5/8X2	5.70
350	5 "	DFSB125-3	141.3	122.3	152.40	184	92.08	181	100	56	M16X85	5/8X2	10.00
		High pressure											
400	1/2 "	DFSB15-6	21.3	11.7	40.49	54	18.24	48	72	32	M8x45	5/16X11/4	0.58
400	3/4 "	DFSB20-6	26.7	15.5	50.80	71	23.80	60	70	42	M10x55	3/8X1/2	1.00
400	1 "	DFSB25-6	33.4	20.6	57.15	79	27.76	70	82	42	M12x65	7/16X13/4	1.52
375	1 1/4 "	DFSB32-6	42.2	29.4	66.68	93	31.75	78	88	48	M14x75	1/2X13/4	2.40
250	1 1/2 "	DFSB40-6	48.3	34.1	79.38	112	36.50	95	110	60	M16X85	5/8X2	3.30
250	2 "	DFSB50-6	60.3	42.9	96.82	134	44.45	114	130	74	M20X100	3/4X2 1/2	4.90
400	2 1/2 "	DFSB65-6	73.0	54.0	123.80	180	58.70	152	160	90	M24X130		12.80

SAE 低压沉插焊法兰

SAE socket welding flange 500 psi



AFC-S

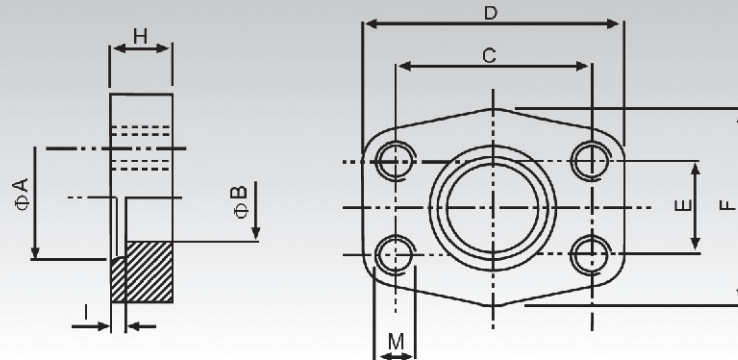
材料 (Material)

- 1、20#钢, C20 carbon steel
- 2、不锈钢AISI 304/316L

normal flange size.	产品型号 part No.	尺寸参数 dimension									配件附件		单重 Wt	最大工作压力 MAX.W.P	
		A	B	C	D	E	F	H	I	K	螺栓 bolt	○形圈 o-ring			
inch	500 psi													kg	Kg/cm ²
1/2"	AFC 15-3S	21.60	15	38.10	54	17.48	46	10	3	9	M8X25	18.66X3.53	0.12	40	
3/4"	AFC 20-3S	27.20	20	47.63	65	22.23	50	12	4	11	M10X30	25.00X3.53	0.20	40	
1"	AFC 25-3S	34.00	29	52.37	70	26.19	55	12	4	11	M10X30	32.92X3.53	0.25	40	
1 1/4"	AFC 32-3S	42.80	34	58.72	79	30.18	68	12	4	11	M10X30	37.70X3.53	0.31	40	
1 1/2"	AFC 40-3S	48.60	42	69.85	93	35.71	78	15	4	13.5	M12X35	47.22X3.53	0.50	40	
2"	AFC 50-3S	61.00	53	77.77	102	42.88	90	15	4	13.5	M12X35	56.75X3.53	0.59	40	
2 1/2"	AFC 65-3S	76.60	64	88.90	114	50.80	105	15	4	13.5	M12X35	69.45X3.53	0.72	40	
3"	AFC 80-3S	90.50	80	106.38	134	61.93	124	20	5	17	M16X40	85.32X3.53	1.25	40	
3 1/2"	AFC 90-3S	103.00	93	120.65	152	69.85	136	20	5	17	M16X40	98.02X3.53	1.50	35	
4"	AFC 100-3S	115.50	105	130.18	162	77.77	146	25	6	17	M16X45	110.72X3.53	2.15	35	
5"	AFC 125-3S	142.00	126	152.40	184	92.08	180	28	8	17	M16X45	136.12X3.53	3.00	35	

SAE 低压沉插焊法兰

SAE socket welding flange 500 psi



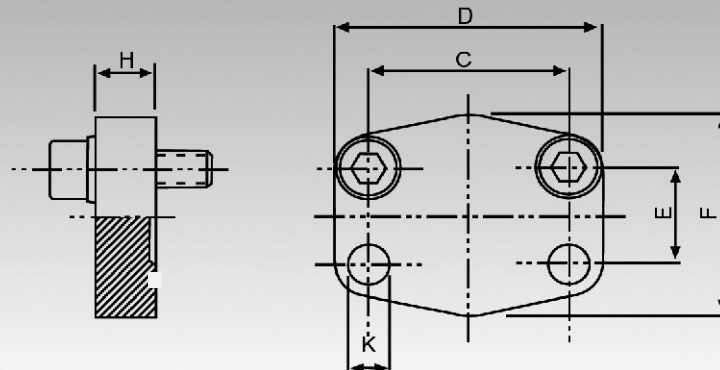
GFC-S

材料 (Material)

- 1、20#钢, C20 carbon steel
- 2、不锈钢AISI 304/316L

normal flange size.	产品型号 part No.	尺寸参数 dimension									单重 Wt	最大 工作压力 MAX.W.P
		A	B	C	D	E	F	H	I	M		
inch	500 psi										kg	Kg/cm ²
1/2"	GFC 15-3S	21.60	15	38.10	54	17.48	46	10	3	M 8	0.12	40
3/4"	GFC 20-3S	27.20	20	47.63	65	22.23	50	12	4	M 10	0.20	40
1"	GFC 25-3S	34.00	29	52.37	70	26.19	55	12	4	M 10	0.25	40
1 1/4"	GFC 32-3S	42.80	34	58.72	79	30.18	68	12	4	M 10	0.31	40
1 1/2"	GFC 40-3S	48.60	42	69.85	93	35.71	78	15	4	M 12	0.50	40
2"	GFC 50-3S	61.00	53	77.77	102	42.88	90	15	4	M 12	0.59	40
2 1/2"	GFC 65-3S	76.60	64	88.90	114	50.80	105	15	4	M 12	0.72	40
3"	GFC 80-3S	90.50	80	106.38	134	61.93	124	20	5	M 16	1.25	40
3 1/2"	GFC 90-3S	103.00	93	120.65	152	69.85	136	20	5	M 16	1.50	35
4"	GFC 100-3S	115.50	105	130.18	162	77.77	146	25	6	M 16	2.15	35
5"	GFC 125-3S	142.00	126	152.40	184	92.08	180	28	8	M 16	3.00	35

SAE 法兰盖 SAE closed flange



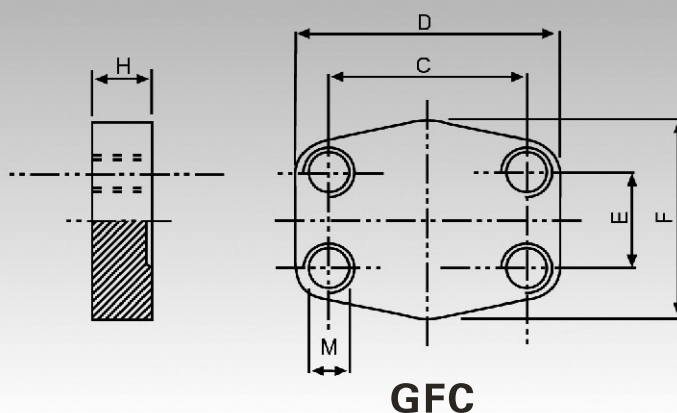
AFC

材料 (Material)

- 1、45#钢, C45 carbon steel
- 2、不锈钢AISI 304/316L

normal flange size.	产品型号 part No.	尺寸参数 dimension						配件附件		单重 Wt	最大 工作压力 MAX.W.P
		C	D	E	F	H	K	螺栓 bolt	○形圈 o-ring		
inch	轻系列 3000 psi									kg	Kg/cm ²
1/2"	AFC 15-3	38.10	54	17.48	46	16	9	M8X30	18.66X3.53	0.24	350
3/4"	AFC 20-3	47.63	65	22.23	50	16	11	M10X35	25.00X3.53	0.30	350
1"	AFC 25-3	52.37	70	26.19	60	19	11	M10X35	32.92X3.53	0.45	315
1 1/4"	AFC 32-3	58.72	79	30.18	68	18	11.5	M10X40	37.70X3.53	0.60	250
1 1/2"	AFC 40-3	69.85	93	35.71	78	20	13.5	M12X45	47.22X3.53	0.83	200
2"	AFC 50-3	77.77	102	42.88	90	20	13.5	M12X45	56.75X3.53	1.16	200
2 1/2"	AFC 65-3	88.90	114	50.80	105	20	13.5	M12X45	69.45X3.53	1.40	160
3"	AFC 80-3	106.38	134	61.93	124	24	17	M16X50	85.32X3.53	2.35	138
3 1/2"	AFC 90-3	120.65	152	69.85	136	22	17	M16X50	98.02X3.53	3.20	35
4"	AFC 100-3	130.18	162	77.77	146	25	17	M16X50	110.72X3.53	3.80	35
5"	AFC 125-3	152.40	190	92.08	170	28	17	M16X55	136.12X3.53	4.20	35
	重系列 6000 psi										
1/2"	AFC 15-6	40.49	56	18.24	48	16	9	M8X30	18.66X3.53	0.25	400
3/4"	AFC 20-6	50.80	71	23.80	60	19	11	M10X35	25.00X3.53	0.48	400
1"	AFC 25-6	57.15	81	27.76	70	24	13	M12X45	32.92X3.53	0.77	400
1 1/4"	AFC 32-6	66.68	95	31.75	78	27	15	M14X50	37.70X3.53	1.13	400
1 1/2"	AFC 40-6	79.38	112	36.50	94	30	17	M16X50	47.22X3.53	1.80	400
2"	AFC 50-6	96.82	134	44.45	114	28	21	M20X65	56.75X3.53	2.40	400
2 1/2"	AFC 65-6	123.83	180	58.73	152	45	25	M24X80	75.57X5.33	5.3	400
3"	AFC 80-6	152.40	208	71.43	178	55	32	M30X100	88.27X5.33	9	400

SAE法兰盖 SAE closed flange

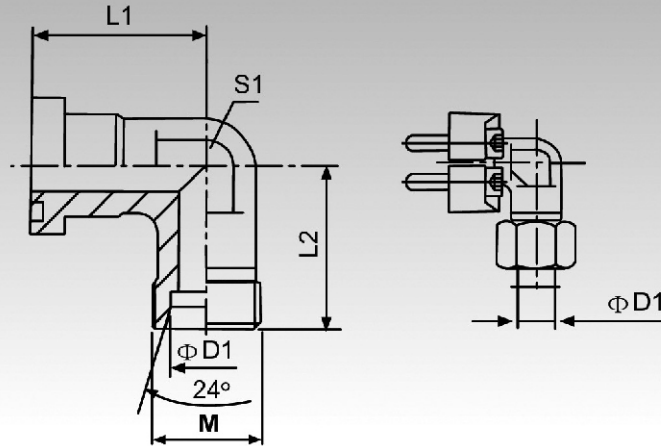


材料 (Material)

- 1、45#钢, C45 carbon steel
- 2、不锈钢AISI 304/316L

normal flange size.	产品型号 part No.	尺寸参数 dimension						单重 Wt	最大 工作压力 MAX.W.P
		C	D	E	F	H	M		
inch	轻系列 3000 psi							kg	Kg/cm ²
1/2"	GFC 15-3	38.10	54	17.48	46	16	M8	0.24	350
3/4"	GFC 20-3	47.63	65	22.23	50	16	M10	0.30	350
1"	GFC 25-3	52.37	70	26.19	60	19	M10	0.45	315
1 1/4"	GFC 32-3	58.72	79	30.18	68	18	M10	0.60	250
1 1/2"	GFC 40-3	69.85	93	35.71	78	20	M12	0.83	200
2"	GFC 50-3	77.77	102	42.88	90	20	M12	1.16	200
2 1/2"	GFC 65-3	88.90	114	50.80	105	20	M12	1.40	160
3"	GFC 80-3	106.38	134	61.93	124	24	M16	2.35	138
3 1/2"	GFC 90-3	120.65	152	69.85	136	22	M16	3.20	35
4"	GFC 100-3	130.18	162	77.77	146	25	M16	3.80	35
5"	GFC 125-3	152.40	190	92.08	170	28	M16	4.20	35
	重系列 6000 psi								
1/2"	GFC 15-6	40.49	56	18.24	48	16	M8	0.25	400
3/4"	GFC 20-6	50.80	71	23.80	60	19	M10	0.48	400
1"	GFC 25-6	57.15	81	27.76	70	24	M12	0.77	400
1 1/4"	GFC 32-6	66.68	95	31.75	78	27	M14	1.13	400
1 1/2"	GFC 40-6	79.38	112	36.50	94	30	M16	1.80	400
2"	GFC 50-6	96.82	134	44.45	114	28	M20	2.40	400
2 1/2"	GFC 65-6	123.83	180	58.73	152	45	M24	5.3	400
3"	GFC 80-6	152.40	208	71.43	178	55	M30	9	400

SAE24°内锥法兰式90°弯过渡接头 (标准型)
 SAE flange adapter-90°metric24°DIN3901/3902(standard series)



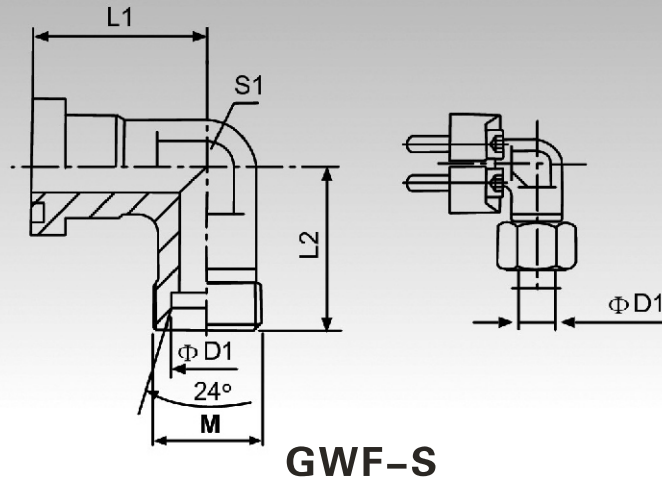
GWF-L/GWF-S

材料 (Material)

- 1、45#钢, C45 carbon steel
- 2、不锈钢AISI 304/316L

normal flange Inch	产品型号 part No.	尺寸参数 dimension					最大 工作压力 MAX.W.P Kg/cm ²			
		ΦD1	Flange 配用法兰	M	S1	L1		L2		
1/2"	GWF15-3-15L	15L	FL08	M22X1.5	24	39	36	315		
	GWF15-3-16S	16S		M24X1.5			38			
3/4"	GWF20-3-18L	18L	FL12	M26X1.5	30	42	39	315		
	GWF20-3-22L	22L		M30X2			41		160	
	GWF20-3-20S	20S		M30X2			43			350
	GWF20-3-25S	25S		M36X2			45			
1"	GWF25-3-28L	28L	FL16	M36X2	36	45	44	160		
	GWF25-3-25S	25S		M36X2			48		315	
	GWF25-3-30S	30S		M42X2			47			315
1 1/4"	GWF32-3-35L	35L	FL20	M45X2	41	50	57	160		
	GWF32-3-25S	25S		M36X2			55		250	
	GWF32-3-30S	30S		M42X2			57			250
	GWF32-3-38S	38S		M52X2			59		250	
1 1/2"	GWF40-3-42L	42L	FL24	M52X2	50	55	58	160		
	GWF40-3-38S	38S					64		200	

SAE24°内锥法兰式90°弯过渡接头 (重型)
 SAE flange adapter-90°metric24°DIN3901/3902(high pressure series)

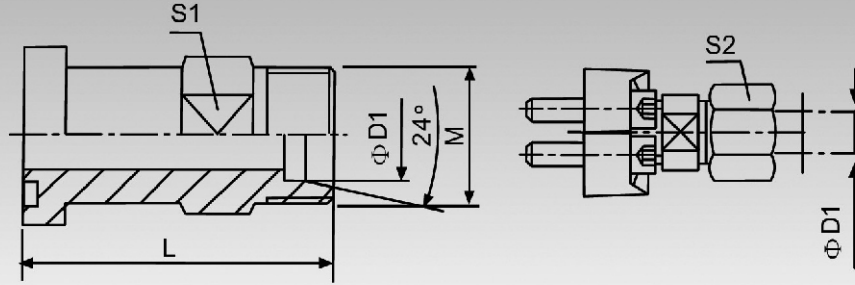


材料 (Material)

- 1、45#钢, C45 carbon steel
- 2、不锈钢AISI 304/316L

normal flange Inch	产品型号 part No.	尺寸参数 dimension						最大 工作压力 MAX.W.P Kg/cm ²
		ΦD1	Flange 配用法兰	M	S1	L1	L2	
1/2"	GWF15-6-16S	16S	FS08	M24X1.5	24	39	38	400
3/4"	GWF20-6-16S	16S	FS12	M24X1.5	32	48	45	400
	GWF20-6-20S	20S		M30X2			46	
	GWF20-6-25S	25S		M36X2			48	
1"	GWF25-6-25S	25S	FS16	M36X2	41	60	53	400
	GWF25-6-30S	30S		M42X2			55	
1 1/4"	GWF32-6-30S	30S	FS20	M42X2	46	68	58	400
	GWF32-6-38S	38S		M52X2			61	315
1 1/2"	GWF40-6-30S	30S	FS24	M42X2	50	76	72	315
	GWF40-6-38S	38S		M52X2				

SAE24°内锥法兰式过渡接头 (标准型)
SAE flange adapter metric 24° DIN3901/3902(standard series)



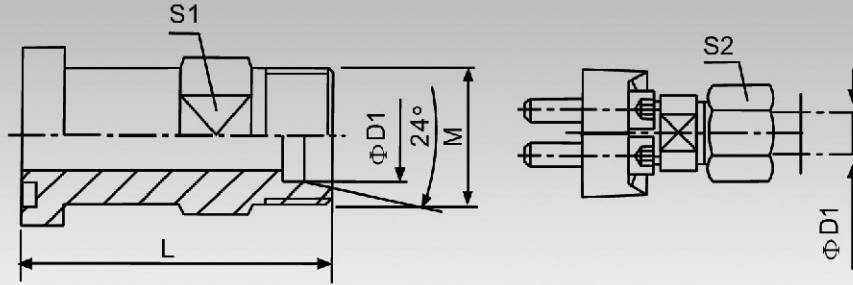
GSF-L/GSF-S

材料 (Material)

- 1、45#钢, C45 carbon steel
- 2、不锈钢AISI 304/316L

normal flange Inch	产品型号 part No.	尺寸参数 dimension						最大 工作压力 MAX.W.P Kg/cm ²
		ΦD1	Flange 配用法兰	M	L	S1	S2	
1/2"	GSF15-3-15L	15L	FL08	M22X1.5	48	24	27	315
	GSF15-3-16S	16S		M24X1.5	50		30	350
3/4"	GSF20-3-18L	18L	FL12	M26X1.5	53	30	32	315
	GSF20-3-22L	22L		M30X2	53		36	160
	GSF20-3-20S	20S		M30X2	57		36	350
	GSF20-3-25S	25S		M36X2	57	46	350	
	GSF20-3-28L	28L		M36X2	53.5	36	41	160
1"	GSF25-3-28L	28L	FL16	M36X2	54	36	41	160
	GSF25-3-25S	25S		M36X2	58.5		46	315
	GSF25-3-30S	30S		M42X2	63		50	315
1 1/4"	GSF32-3-35L	35L	FL20	M45X2	58	41	50	160
	GSF32-3-25S	25S		M36X2	60		46	250
	GSF32-3-30S	30S		M42X2	62	50	250	
	GSF32-3-38S	38S		M52X2	66	46	60	250
1 1/2"	GSF40-3-42L	42L	FL24	M52X2	64	46	60	160
	GSF40-3-38S	38S			70			200

SAE24°内锥法兰式过渡接头 (重型)
 SAE flange adapter metric 24° DIN3901/3902(high pressure series)



GSF-S

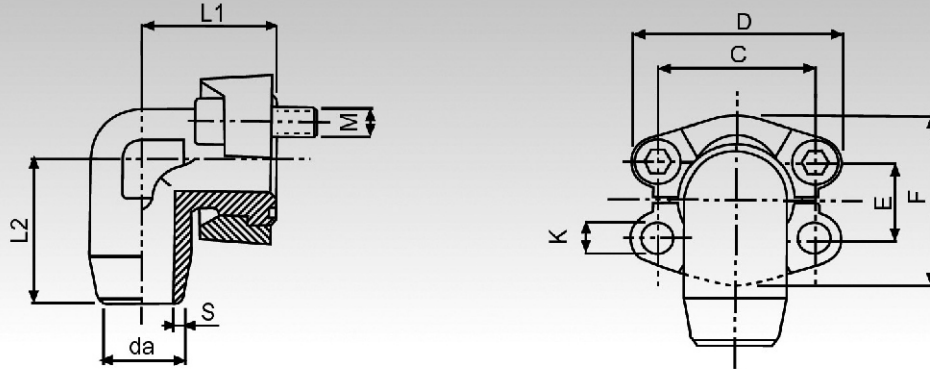
材料 (Material)

- 1、45#钢, C45 carbon steel
- 2、不锈钢AISI 304/316L

normal flange Inch	产品型号 part No.	尺寸参数 dimension						最大 工作压力 MAX.W.P Kg/cm ²
		ΦD1	Flange 配用法兰	M	L	S1	S2	
1/2"	GSF15-6-16S	16S	FS08	M24X1.5	53	24	30	400
3/4"	GSF20-6-16S	16S	FS12	M24X1.5	59	30	30	400
	GSF20-6-20S	20S		M30X2	61		36	
	GSF20-6-25S	25S		M36X2	63		46	
1"	GSF25-6-25S	25S	FS16	M36X2	72	36	46	400
	GSF25-6-30S	30S		M42X2	74		50	
1 1/4"	GSF32-6-30S	30S	FS20	M42X2	79	41	50	400
	GSF32-6-38S	38S		M52X2	83	46	60	315
1 1/2"	GSF40-6-30S	30S	FS24	M42X2	89	46	60	315
	GSF40-6-38S	38S		M52X2				

SAE 法兰焊管组合件 (90°弯)

SAE flange welding coupling(90°)



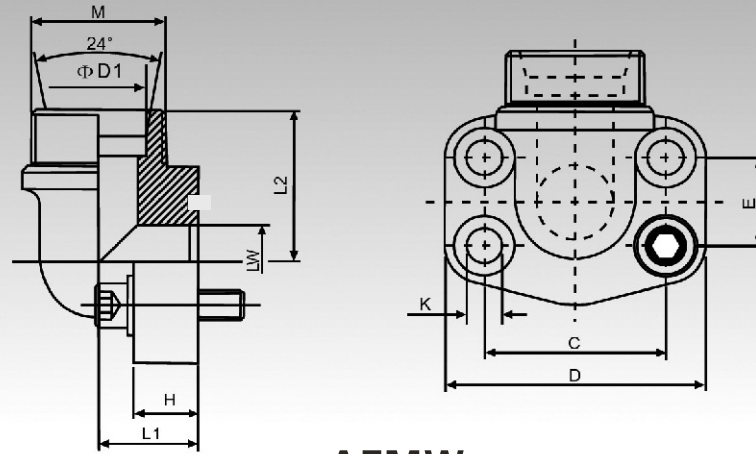
AWF

材料 (Material)

- 1、45#钢, C45 carbon steel
- 2、不锈钢AISI 304/316L

normal flange Inch	产品型号 part No.	尺寸参数 dimension								配用附件		单重 Wt Kg	最大 工作压力 MAX.W.P Kg/cm ²
		daxs	C	D	E	F	L1	L2	K	螺栓 bolt	O形圈 o-ring		
轻系列 3000 psi													
1/2"	AWF15-3	20X2.5, 21.3X2.9 21.6x4.3, 22X3	38.10	54	17.48	46	39	38	8.5	M8X25	18.66x3.53	0.40	350
3/4"	AWF20-3	22X3, 25X3 26.9X3.6, 28X4.5	47.63	65	22.23	52	42	45	10.5	M10X30	25.00x3.53	0.60	350
1"	AWF25-3	30X4, 33.7X3.6 34X4, 34x5, 34x6 35X4, 35X5	52.37	70	26.19	59	45	48	10.5	M10X30	32.92x3.53	0.80	315
1 1/4"	AWF32-3	38X3, 38X4 42.4X4, 42.4x6 42.8x5.4	58.72	79	30.18	73	50	59	10.5	M10X30	37.70x3.53	1.20	250
1 1/2"	AWF40-3	42.4X4, 48.3X3.2 48.3x5, 48.3x6.3 48.6x5.3, 50x5 50x6	69.85	94	35.71	83	55	64	13.5	M12X35	47.22x3.53	1.60	200
重系列 6000 psi													
1/2"	AWF15-6	16X3, 20X3 21.6x4.5, 22X3	40.49	56	18.24	48	39	38	8.5	M8X30	18.66x3.53	0.47	400
3/4"	AWF20-6	25X4, 26.9X5.6 27.2x4, 28X5	50.80	71	23.80	60	48	48	10.5	M10X35	25.00x3.53	0.90	400
1"	AWF25-6	25x4, 30X5 33.7X7.1, 35X5 38X5	57.17	81	27.76	70	60	55	13	M12X45	32.92x3.53	1.50	315
1 1/4"	AWF32-6	30X5, 38X6 42.4x8.8, 42.8X5.4	66.68	95	31.75	78	68	61	14.5	M14X50	37.70x3.53	2.20	315
1 1/2"	AWF40-6	38X6, 42.4x8 48.3X8.8, 48.6x5.3 48.6x8, 50x6	79.38	113	36.50	95	76	72	17	M16X55	47.22x3.53	3.30	315

SAE24°内锥90°弯公制螺纹法兰 SAE elbow flange with metric 24° DIN3901/3902



AFMW

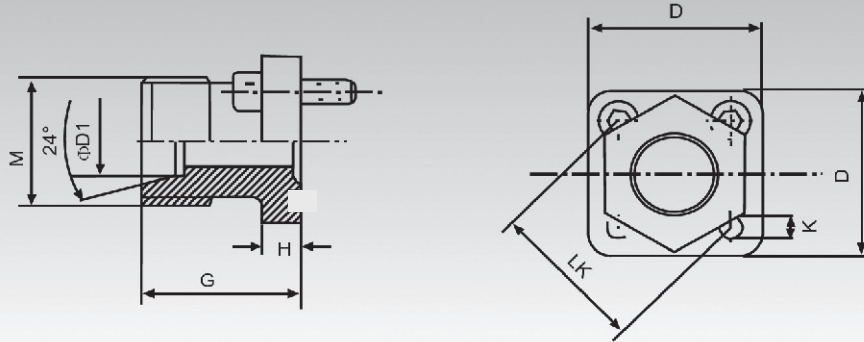
材料 (Material)

- 1、45#钢, C45 carbon steel
- 2、不锈钢AISI 304/316L

normal flange size.	产品型号 part No.	尺寸参数 dimension									配用附件		单重 Wt	最大 工作压力 MAX.W.P	
		ΦD1	C	D	E	H	K	L1	L2	M	螺栓 bolt	○形圈 o-ring			
inch	轻系列 3000 psi													kg	Kg/cm ²
1/2"	AFMW 15-3	15L	38.10	54	17.48	16	9	20	37	M22X1.5	M8X30	18.66X3.53	0.40	315	
3/4"	AFMW 20-3	22L	47.63	65	22.23	18	11	24	38	M30X2.0	M10X35	25.00X3.53	0.60	160	
1"	AFMW 25-3	28L	52.37	70	26.19	19	11	28	43	M36X2.0	M10X35	32.92X3.53	0.80	160	
1 1/4"	AFMW 32-3	35L	58.72	79	30.18	21	11.5	34	52	M45X2.0	M10X40	37.70X3.53	1.20	160	
1 1/2"	AFMW 40-3	42L	69.85	93	35.71	25	13.5	38	58	M52X2.0	M12X45	47.22X3.53	1.65	160	
	重系列 6000 psi														
1/2"	AFMW 15-6	16S	40.49	56	18.24	16	9	20	37	M24X1.5	M8X30	18.66X3.53	0.50	400	
3/4"	AFMW20-6	20S	50.80	71	23.80	19	11	28	43	M30X2.0	M10X35	25.00X3.53	1.25	400	
1"	AFMW 25-6	25S	57.15	79	27.76	21	13	34	51	M36X2.0	M12X40	32.92X3.53	1.50	400	
1 1/4"	AFMW 32-6	30S	66.68	93	31.75	25	15	38	58	M42X2.0	M14X45	37.70X3.53	1.80	400	
1 1/2"	AFMW 40-6	38S	79.38	112	36.50	25	17	42	65	M52X2.0	M16X50	47.22X3.53	2.80	315	

24°内锥泵油口方形法兰接头

Pump flange connection metric 24° DIN3901/3902



GF-LK-L

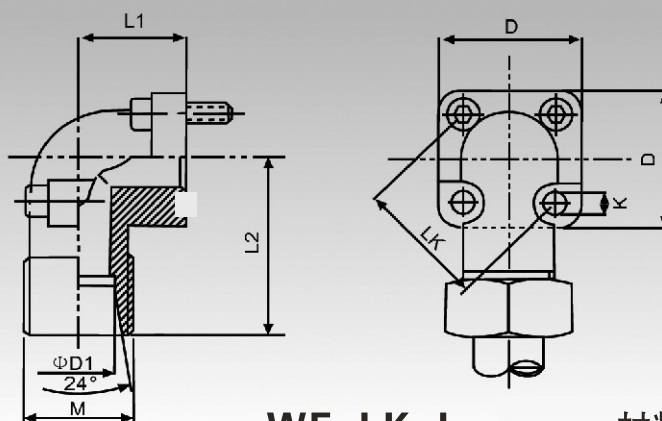
材料 (Material)

- 1、20#钢, C20 carbon steel
- 2、不锈钢AISI 304/316L

产品型号 part No.	尺寸参数 dimension							配用附件		最大 工作压力 MAX.W.P Kg/cm ²
	φD1	D	H	K	LK	G	M	螺栓 bolt	○形圈 o-ring	
GF 30LK-L10	L10	36	8	6.5	30	30	M16X1.5	4XM6X22	17X2.5	315
GF 30LK-L12	L12	36	8	6.5	30	30	M18X1.5	4XM6X22	17X2.5	315
GF 35LK-L10	L10	39	8	6.5	35	30	M16X1.5	4XM6X22	20X2.5	315
GF 35LK-L12	L12	39	8	6.5	35	30	M18X1.5	4XM6X22	20X2.5	315
GF 35LK-L15	L15	39	8	6.5	35	30	M22X1.5	4XM6X22	20X2.5	250
GF 35LK-L18	L18	39	8	6.5	35	30	M26X1.5	4XM6X22	20X2.5	250
GF 35LK-S16	S16	39	8	6.5	35	30	M24X1.5	4XM6X22	20X2.5	315
GF 40LK-L15	L15	42	8	6.5	40	35	M22X1.5	4XM6X22	26X2.5	100
GF 40LK-L18	L18	42	8	6.5	40	35	M26X1.5	4XM6X22	26X2.5	100
GF 40LK-L22	L22	42	8	6.5	40	35	M30X2	4XM6X22	26X2.5	100
GF 40LK-L28	L28	42	8	6.5	40	42	M36X2	4XM6X22	26X2.5	100
GF 55LK-L28	L28	55	8	8.5	55	46	M36X2	4XM8X25	33X2.5	100
GF 55LK-L35	L35	55	8	8.5	55	50	M45X2	4XM8X25	33X2.5	100
GF 55LK-S20	S20	55	8	8.5	55	46	M30X2	4XM8X25	33X2.5	250

24°内锥泵油口90°弯方形法兰接头

Pump flange connection-90° metric 24° DIN3901/3902



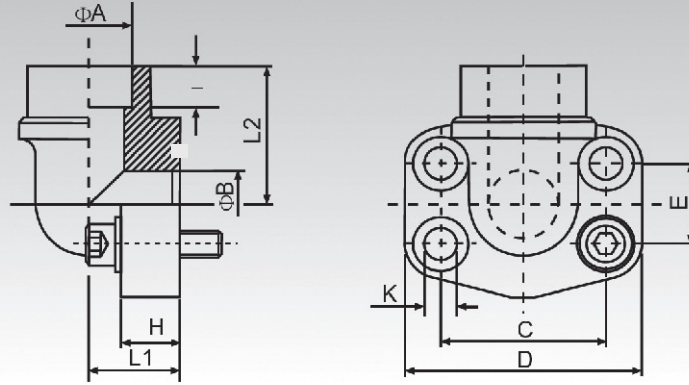
WF-LK-L

材料 (Material)

- 1、45#钢, C45 carbon steel
- 2、不锈钢AISI 304/316L

产品型号 part No.	尺寸参数 dimension							配用附件		最大 工作压力 MAX.W.P Kg/cm ²
	ΦD1	D	K	LK	L1	L2	M	螺栓 bolt	○形圈 o-ring	
WF 35LK-L10	L10	39	6.5	35	16.5	38	M16X1.5	M6X22/M6X35	20X2.5	315
WF 35LK-L12	L12	39	6.5	35	16.5	38	M18X1.5	M6X22/M6X35	20X2.5	315
WF 35LK-L15	L15	39	6.5	35	16.5	38	M22X1.5	M6X22/M6X35	20X2.5	250
WF 35LK-L18	L18	39	6.5	35	20.5	38	M26X1.5	M6X22/M6X40	20X2.5	250
WF 35LK-S16	S16	39	6.5	35	20	38	M24X1.5	M6X22/M6X40	20X2.5	315
WF 35LK-S20	S20	39	6.5	35	25	45	M30X2	M6X22/M6X45	20X2.5	315
WF 40LK-L15	L15	42	6.5	40	22.5	38	M22X1.5	M6X22/M6X45	26X2.5	100
WF 40LK-L18	L18	42	6.5	40	22.5	38	M26X1.5	M6X22/M6X45	26X2.5	100
WF 40LK-L22	L22	42	6.5	40	22.5	38	M30X2	M6X22/M6X45	26X2.5	100
WF 40LK-L28	L28	42	6.5	40	28	40	M36X2	M6X22/M6X50	26X2.5	100
WF 40LK-L35	L35	42	6.5	40	34	41	M45X2	M6X22/M6X60	26X2.5	100
WF 40LK-S20	S20	42	6.5	40	22.5	40	M30X2	M6X25/M6X45	26X2.5	250
WF 55LK-L35	L35	58	8.5	55	32	49	M45X2	M8X25/M8X60	33X2.5	100
WF 55LK-L42	L42	58	8.5	55	40	49	M52X2	M8X25/M8X70	33X2.5	100
WF 55LK-S20	S20	58	8.5	55	24	45	M30X2	M8X25/M8X55	33X2.5	250
WF 55LK-S25	S25	58	8.5	55	30	49	M36X2	M8X25/M8X55	33X2.5	250
WF 55LK-S30	S30	58	8.5	55	32	49	M42X2	M8X25/M8X50	33X2.5	250

SAE 90° 弯沉插式焊法兰 SAE socket welding flange-90°



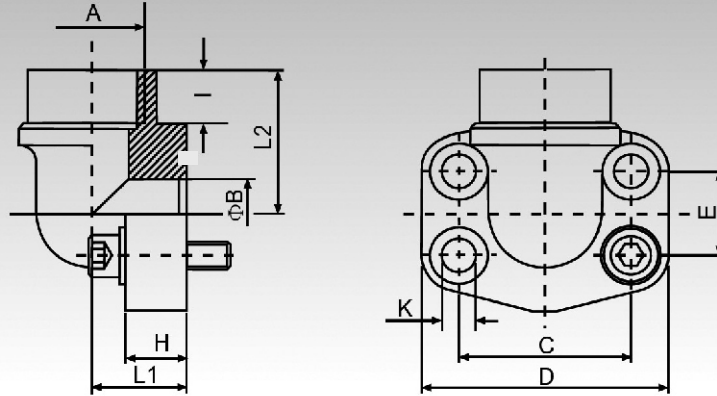
AFW-S

材料 (Material)

- 1、20#钢, C20 carbon steel
- 2、不锈钢AISI 304/316L

normal flange size.	产品型号 part No.	尺寸参数 dimension										配件附件		单重 Wt	最大 工作压力 MAX.W.P		
		A	B	C	D	E	H	I	K	L1	L2	螺栓 bolt	○形圈 o-ring				
inch	轻系列 3000 psi															kg	Kg/cm ²
1/2"	AFW 15-3S	21.60	13	38.10	54	17.48	16	10	9	20	37	M8X30	18.66X3.53	0.33	350		
3/4"	AFW 20-3S	27.20	19	47.63	65	22.23	18	10	11	24	38	M10X35	25.00X3.53	0.49	350		
1"	AFW 25-3S	34.00	25	52.37	70	26.19	19	12	11	28	43	M10X35	32.92X3.53	0.66	315		
1 1/4"	AFW 32-3S	42.80	32	58.72	79	30.18	21	14	11.5	34	51	M10X40	37.70X3.53	1.50	250		
1 1/2"	AFW 40-3S	48.60	38	69.85	93	35.71	25	16	13.5	38	55	M12X45	47.22X3.53	1.65	200		
2"	AFW 50-3S	61.00	51	77.77	102	42.88	25	18	13.5	42	65	M12X45	56.75X3.53	2.00	200		
	重系列 6000 psi																
1/2"	AFW 15-6S	21.60	13	40.49	56	18.24	16	10	9	20	37	M8X30	18.66X3.53	0.35	400		
3/4"	AFW20-6S	27.20	19	50.8	71	23.80	19	12	11	28	43	M10X35	25.00X3.53	0.75	400		
1"	AFW 25-6S	34.00	25	57.15	79	27.76	21	14	13	34	51	M12X40	32.92X3.53	1.05	400		
1 1/4"	AFW 32-6S	42.80	32	66.68	93	31.75	25	16	15	38	56	M14X45	37.70X3.53	1.45	400		
1 1/2"	AFW 40-6S	48.60	38	79.38	112	36.50	25	18	17	42	65	M16X50	47.22X3.53	2.80	400		
2"	AFW 50-6S	61.00	51	96.82	134	44.45	29	18	21	45	75	M20X65	56.75X3.53	4.00	400		

SAE 90° 弯英制管螺纹法兰 SAE BSPP thrcad flange-90°



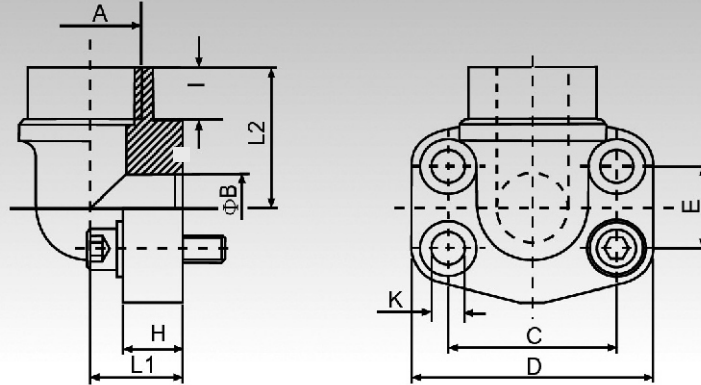
AFW-G

材料 (Material)

- 1、45#钢, C45 carbon steel
- 2、不锈钢AISI 304/316L

normal flange size.	产品型号 part No.	尺寸参数 dimension										配件附件		单重 Wt	最大 工作压力 MAX.W.P		
		A	B	C	D	E	H	I	K	L1	L2	螺栓 bolt	○形圈 o-ring				
inch	轻系列 3000 psi															kg	Kg/cm ²
1/2"	AFW 15-3G	G1/2"	13	38.10	54	17.48	16	19	9	20	37	M8X30	18.66X3.53	0.33	350		
3/4"	AFW 20-3G	G3/4"	19	47.63	65	22.23	18	19	11	24	38	M10X35	25.00X3.53	0.49	350		
1"	AFW 25-3G	G1"	25	52.37	70	26.19	19	22	11	28	43	M10X35	32.92X3.53	0.66	315		
1 1/4"	AFW 32-3G	G1 1/4"	32	58.72	79	30.18	21	22	11	34	51	M10X40	37.70X3.53	1.50	250		
1 1/2"	AFW 40-3G	G1 1/2"	38	69.85	93	35.71	25	25	13.5	38	56	M12X45	47.22X3.53	1.65	200		
2"	AFW 50-3G	G2"	51	77.77	102	42.88	25	28	13.5	42	65	M12X45	56.75X3.53	2.00	200		
	重系列 6000 psi																
1/2"	AFW 15-6G	G1/2"	13	40.49	56	18.24	16	19	9	20	37	M8X30	18.66X3.53	0.35	400		
3/4"	AFW20-6G	G3/4"	19	50.8	71	23.80	19	19	11	28	43	M10X35	25.00X3.53	0.75	400		
1"	AFW 25-6G	G1"	25	57.15	79	27.76	21	20	13	34	51	M12X40	32.92X3.53	1.05	400		
1 1/4"	AFW 32-6G	G1 1/4"	32	66.68	93	31.75	25	22	15	38	56	M14X45	37.70X3.53	1.45	400		
1 1/2"	AFW 40-6G	G1 1/2"	38	79.38	112	36.50	25	25	17	42	65	M16X50	47.22X3.53	2.80	400		
2"	AFW 50-6G	G2"	51	96.82	134	44.45	29	28	21	45	75	M20X65	56.75X3.53	4.00	400		

SAE 90° 弯美制锥管螺纹 (NPT) 法兰 SAE NPT thrcad flange-90°



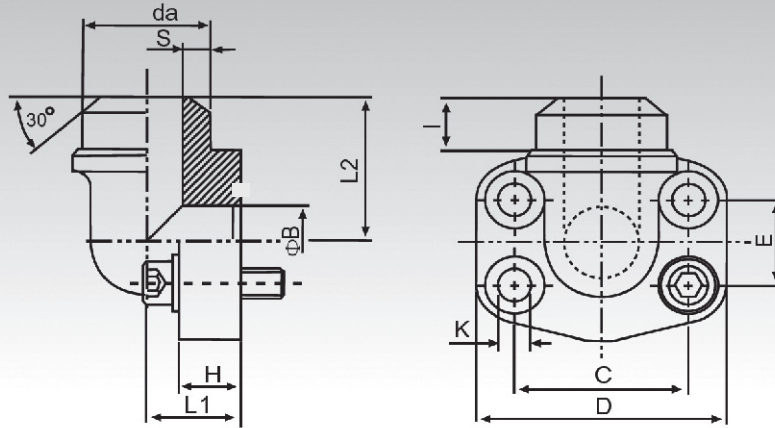
AFW-U

材料 (Material)

- 1、45#钢, C45 carbon steel
- 2、不锈钢AISI 304/316L

normal flange size.	产品型号 part No.	尺寸参数 dimension										配用附件		单重 Wt	最大 工作压力 MAX.W.P		
		A	B	C	D	E	H	I	K	L1	L2	螺栓 bolt	○形圈 o-ring				
inch	轻系列 3000 psi															kg	Kg/cm ²
1/2"	AFW 15-3U	NPT1/2"	13	38.10	54	17.48	16	19	9	20	37	M8X30	18.66X3.53	0.33	350		
3/4"	AFW 20-3U	NPT3/4"	19	47.63	65	22.23	18	19	11	24	38	M10X35	25.00X3.53	0.49	350		
1"	AFW 25-3U	NPT1"	25	52.37	70	26.19	19	22	11	28	43	M10X35	32.92X3.53	0.66	315		
1 1/4"	AFW 32-3U	NPT1 1/4"	32	58.72	79	30.18	21	22	11	34	51	M10X40	37.70X3.53	1.20	250		
1 1/2"	AFW 40-3U	NPT1 1/2"	38	69.85	93	35.71	25	25	13.5	38	56	M12X45	47.22X3.53	1.50	200		
2"	AFW 50-3U	NPT2"	51	77.77	102	42.88	25	28	13.5	42	65	M12X45	56.75X3.53	2.00	200		
	重系列 6000 psi																
1/2"	AFW 15-6U	NPT1/2"	13	40.49	56	18.24	16	19	9	20	37	M8X30	18.66X3.53	0.35	400		
3/4"	AFW20-6U	NPT3/4"	19	50.8	70	23.80	19	19	11	28	43	M10X35	25.00X3.53	0.75	400		
1"	AFW 25-6U	NPT1"	25	57.15	79	27.76	21	20	13	34	51	M12X40	32.92X3.53	1.05	400		
1 1/4"	AFW 32-6U	NPT1 1/4"	32	66.68	93	31.75	25	22	15	38	56	M14X45	37.70X3.53	1.45	400		
1 1/2"	AFW 40-6U	NPT1 1/2"	38	79.38	110	36.50	25	25	17	42	65	M16X50	47.22X3.53	2.80	400		
2"	AFW 50-6U	NPT2"	51	96.82	134	44.45	29	28	21	45	75	M20X65	56.75X3.53	4.00	400		

SAE 90° 对焊焊接法兰 SAE butt welding flange-90°



AFW-T

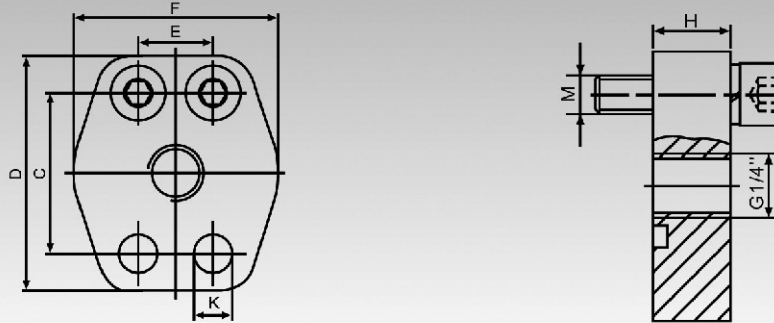
材料 (Material)

- 1、20#钢, C20 carbon steel
- 2、不锈钢AISI 304/316L

normal flange size inch	产品型号 part No.	尺寸参数 dimension										配件附件		单重 Wt kg	最大工作压力 MAX.W.P Kg/cm ²
		da x s	B	C	D	E	H	I	K	L1	L2	螺栓 bolt	○形圈 o-ring		
轻系列 3000 psi															
1/2"	AFW 15-3T	20x3.21,6x4.3 22x3.22x4	13	38.10	54	17.48	16	10	9	20	37	M8X30	18.66X3.53	0.33	350
3/4"	AFW 20-3T	25x3.27,2x4 28x4	19	47.63	65	22.23	18	10	11	24	38	M10X35	25.00X3.53	0.49	350
1"	AFW 25-3T	30x4 35x4,38x5	25	52.37	70	26.19	19	12	11	28	43	M10X35	32.92X3.53	0.66	315
1 1/4"	AFW 32-3T	38x4,42.4x4 42.8x5.4	32	58.72	79	30.18	21	14	11	34	51	M10X40	37.70X3.53	1.20	250
1 1/2"	AFW 40-3T	42.4x4,48.3x4.5 48.6x5.3,50x6	38	69.85	93	35.71	25	16	13.5	38	56	M12X45	47.22X3.53	1.65	200
2"	AFW 50-3T	60.3x5.6 60.3x3,61x5	51	77.77	102	42.88	25	18	13.5	42	65	M12X45	56.75X3.53	2.00	200
重系列 6000 psi															
1/2"	AFW 15-6T	20x3.21,6x4.5 22x4	13	40.49	56	18.24	16	10	9	20	37	M8X30	18.66X3.53	0.35	400
3/4"	AFW20-6T	25x3.25x4 27.2x4,28x4.5	19	50.8	71	23.80	19	12	11	28	46	M10X35	25.00X3.53	0.70	400
1"	AFW 25-6T	28x4,30x4,30x5 34x4.5,35x5	25	57.15	79	27.76	21	14	13	34	51	M12X40	32.92X3.53	1.00	400
1 1/4"	AFW 32-6T	35x4,38x5,38x6 42.4x6,42.8x5.4 42.8x8	32	66.68	93	31.75	25	16	15	38	56	M14X45	37.70X3.53	1.40	400
1 1/2"	AFW 40-6T	38x5,48.3x8 48.6x5.3,50x6	38	79.38	112	36.50	25	18	17	42	65	M16X50	47.22X3.53	2.80	400
2"	AFW 50-6T	60.3x10,61x5 61x8,65x9	51	96.82	134	44.45	29	18	21	45	75	M20X65	56.75X3.53	4.00	400

SAE 直通测压法兰

SAE -Flange with test point-straight



AFC G1/4

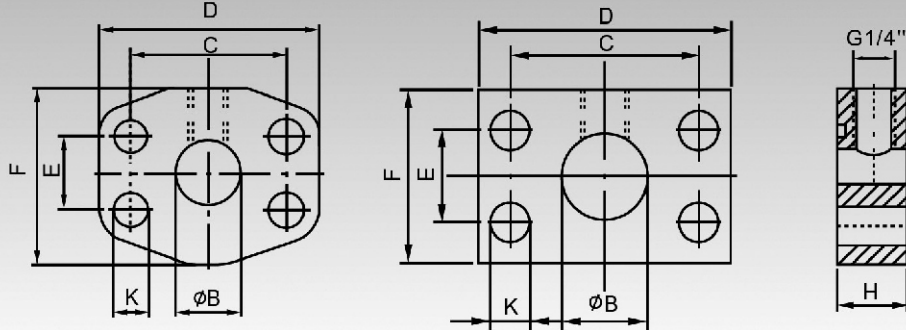
材料 (Material)

- 1、45#钢, C45 carbon steel
- 2、不锈钢AISI 304/316L

normal flange size.	产品型号 part No.	尺寸参数 dimension						配件附件		单重 Wt	最大工作压力 MAX.W.P
		C	D	E	F	H	K	螺栓 bolt	○形圈 o-ring		
inch	轻系列 3000 psi									kg	Kg/cm ²
1/2"	AFC 15-3 G1/4"	38.10	54	17.48	46	16	9	M8X30	18.66X3.53	0.20	350
3/4"	AFC 20-3 G1/4"	47.63	65	22.23	50	16	11	M10X35	25.00X3.53	0.30	350
1"	AFC 25-3 G1/4"	52.37	70	26.19	60	19	11	M10X35	32.92X3.53	0.37	315
1 1/4"	AFC 32-3 G1/4"	58.72	79	30.18	68	18	11.5	M10X40	37.70X3.53	0.54	250
1 1/2"	AFC 40-3 G1/4"	69.85	93	35.71	78	20	13.5	M12X45	47.22X3.53	0.80	200
2"	AFC 50-3 G1/4"	77.77	102	42.88	90	20	13.5	M12X45	56.75X3.53	1.00	200
2 1/2"	AFC 65-3 G1/4"	88.90	114	50.80	105	20	13.5	M12X45	69.45X3.53	1.35	160
3"	AFC 80-3 G1/4"	106.38	134	61.93	124	24	17	M16X50	85.32X3.53	2.15	138
3 1/2"	AFC 90-3 G1/4"	120.65	152	69.85	136	22	17	M16X50	98.02X3.53	2.90	35
4"	AFC 100-3 G1/4"	130.18	162	77.77	146	25	17	M16X50	110.72X3.53	3.60	35
5"	AFC 125-3 G1/4"	152.40	190	92.08	170	28	17	M16X55	136.12X3.53	4.00	35
	重系列 6000 psi										
1/2"	AFC 15-6 G1/4"	40.49	56	18.24	48	16	9	M8X30	18.66X3.53	0.20	400
3/4"	AFC20-6 G1/4"	50.80	71	23.80	60	19	11	M10X35	25.00X3.53	0.48	400
1"	AFC 25-6 G1/4"	57.15	81	27.76	70	24	13	M12X45	32.92X3.53	0.77	400
1 1/4"	AFC 32-6 G1/4"	66.68	95	31.75	78	27	15	M14X50	37.70X3.53	0.85	400
1 1/2"	AFC 40-6 G1/4"	79.38	112	36.50	94	30	17	M16X50	47.22X3.53	1.80	400
2"	AFC 50-6 G1/4"	96.82	134	44.45	114	28*	21	M20X65	56.75X3.53	2.00	400
2 1/2"	AFC 65-6 G1/4"	123.83	180	58.73	152	45	25	M24X80	75.57X5.33	5.30	400

SAE 边孔式测压法兰

SAE Flange with test point-point-90°



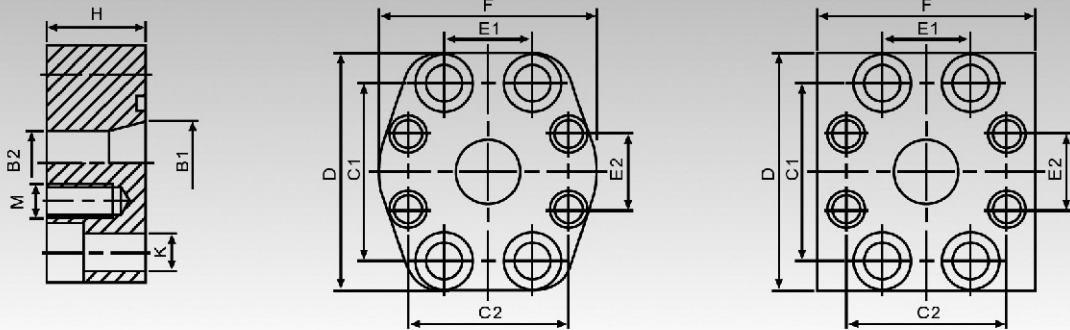
AGL G1/4

材料 (Material)

- 1、45#钢, C45 carbon steel
- 2、不锈钢AISI 304/316L

nominal flange size	产品型号 part No.	尺寸参数 dimension							单重 weight	最大 工作压力 MAX.W.P
		B	C	D	E	F	H	K		
inch	轻系列 3000 psi								kg	Kg/cm ²
1/2"	AGL 15-3G 1/4"	13	38.10	55	17.48	46	24	9	0.45	350
3/4"	AGL 20-3G 1/4"	19	47.63	65	22.23	50	24	11	0.60	350
1"	AGL 25-3G 1/4"	25	52.37	70	26.19	60	24	11	0.60	315
1 1/4"	AGL 32-3G 1/4"	32	58.72	81	30.18	68	24	12.5	0.75	250
1 1/2"	AGL 40-3G 1/4"	38	69.85	95	35.71	78	24	13.5	0.80	200
2"	AGL 50-3G 1/4"	51	77.77	102	42.88	90	24	13.5	1.00	200
2 1/2"	AGL 65-3G 1/4"	63	88.90	114	50.80	103	25	13.5	1.25	160
	重系列 6000 psi									
1/2"	AGL 15-6G 1/4"	13	40.49	55	18.24	46	24	9	0.45	400
3/4"	AGL 20-6G 1/4"	19	50.80	71	23.80	58	24	11	0.60	400
1"	AGL 25-6G 1/4"	25	57.15	81	27.76	68	24	13	0.75	400
1 1/4"	AGL 32-6G 1/4"	32	66.68	95	31.75	76	26	15	0.80	400
1 1/2"	AGL 40-6G 1/4"	38	79.38	112	36.50	92	30	17	1.40	400
2"	AGL 50-6G 1/4"	51	96.82	134	44.45	112	35	21	1.60	400

SAE 直通式转换法兰 SAE -transforming flange-straight



GAF

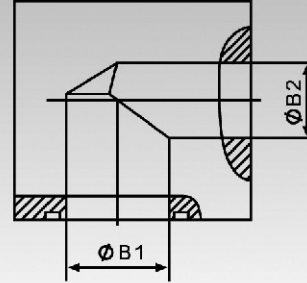
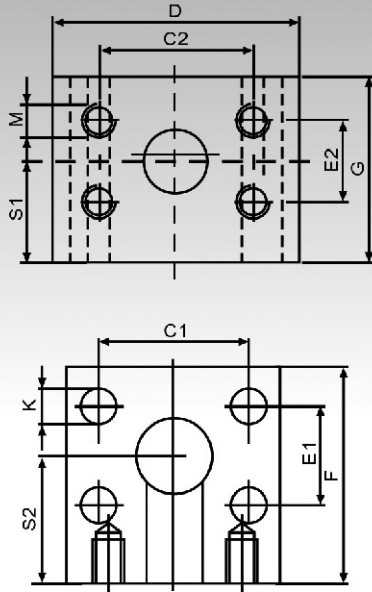
材料 (Material)

- 1、45#钢, C45 carbon steel
- 2、不锈钢AISI 304/316L

normal flange size.	产品型号 part No.	尺寸参数 dimension										配用附件		单重 Wt	最大工作压力 MAX.W.P		
		B1/B2	C1	C2	D	E1	E2	F	H	K	M	螺栓 bolt	○形圈 o-ring				
inch	轻系列 3000 psi															kg	Kg/cm ²
3/4"-1/2"	GAF20-3/15-3	19/13	47.63	38.10	65	22.23	17.48	55	28	11	M8	M10X35	35.00X3.53	0.60	350		
1"-3/4"	GAF25-3/20-3	25/19	52.37	47.63	70	26.19	22.23	65	30	11	M10	M10X35	32.92X3.53	0.82	315		
1 1/4"-1"	GAF32-3/25-3	32/25	58.72	52.37	80	30.18	26.19	70	30	11.5	M10	M10X40	37.70X3.53	1.00	250		
1 1/2"-1 1/4"	GAF40-3/32-3	38/32	69.85	58.72	95	35.71	30.18	80	30	13.5	M10	M12X45	47.22X3.53	1.35	200		
2"-1 1/2"	GAF50-3/40-3	51/38	77.77	69.85	100	42.88	35.71	95	30	13.5	M12	M12X45	56.75X3.53	1.65	200		
2"-1 1/4"	GAF50-3/32-3	51/32	77.77	58.72	102	42.88	30.18	95	30	13.5	M10	M12X45	56.75X3.53	1.70	200		
2 1/2"-2"	GAF65-3/50-3	63/51	88.90	77.77	114	50.80	42.88	109	35	13.5	M12	M12X45	69.45X3.53	2.45	160		
2 1/2"-1 1/2"	GAF65-3/40-3	63/38	88.90	69.85	114	50.80	35.71	109	35	13.5	M12	M12X45	69.45X3.53	2.50	160		
3"-2"	GAF80-3/50-3	73/51	106.38	77.77	134	61.93	42.88	114	40	17	M12	M16X50	85.32X3.53	3.70	138		
3"-2 1/2"	GAF80-3/65-3	73/63	106.38	88.90	134	61.93	50.80	114	40	17	M12	M16X50	85.32X3.53	3.80	138		
	重系列 6000 psi																
3/4"-1/2"	GAF20-6/15-6	19/13	50.80	40.49	71	23.80	18.24	56	28	11	M8	M10X35	25.00X3.53	0.70	400		
3/4"-3/4"	GAF20-6/20-6	19	50.80	50.80	71	23.80	23.80	71	28	11	M10	M10X35	25.00X3.53	0.80	400		
1"-3/4"	GAF25-6/20-6	25/19	57.15	50.80	81	27.76	23.80	71	30	13	M10	M12X45	32.92X3.53	1.10	400		
1"-1"	GAF25-6/25-6	25	57.15	57.15	81	27.76	27.76	75	35	13	M12	M12X45	32.92X3.53	1.10	400		
1 1/4"-1"	GAF32-6/25-6	32/25	66.68	57.15	100	31.75	27.76	83	35	15	M12	M14X40	37.70X3.53	1.10	400		
1 1/4"-1 1/4"	GAF32-6/32-6	32	66.68	66.68	100	31.75	31.75	90	35	15	M14	M14X50	37.70X3.53	1.40	400		
1 1/2"-1 1/4"	GAF40-6/32-6	38/32	79.38	68.68	113	36.50	31.75	95	48	17	M14	M16X55	47.22X3.53	3.00	400		
1 1/2"-1 1/2"	GAF40-6/40-6	38	79.38	79.38	113	36.50	36.50	113	50	17	M16	M16X55	47.22X3.53	3.30	400		
2"-1 1/2"	GAF50-6/40-6	51/38	96.82	79.38	134	44.45	36.50	125	60	21	M16	M20X60	56.75X3.53	5.30	400		
2 1/2"-2"	GAF65-6/50-6	63/51	123.83	96.82	180	58.73	44.45	140	70	25	M20	M24X80	75.57X5.33	10.50	400		

SAE 90° 弯转换法兰

SAE transforming flange-90°



材料 (Material)

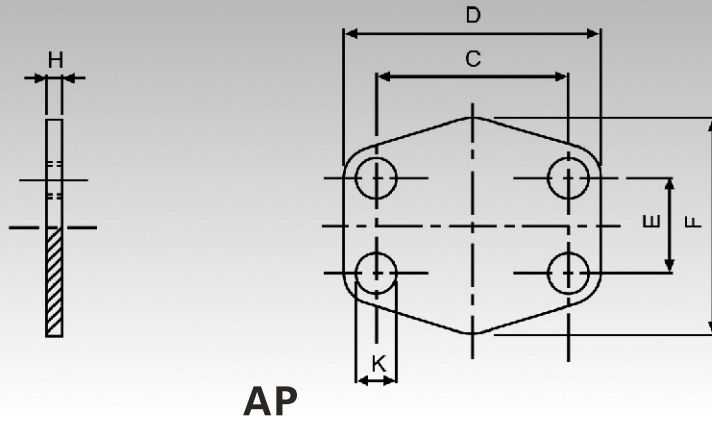
- 1、45#钢, C45 carbon steel
- 2、不锈钢AISI 304/316L

LGD

normal flange size.	产品型号 part No.	尺寸参数 dimension											配用附件		单重 Wt	最大工作压力 MAX.W.P			
		B1/B2	C1	C2	D	E1	E2	F	G	K	M	S1	S2	螺栓 bolt			O形圈 o-ring		
inch	轻系列 3000 psi																	kg	Kg/cm ²
1/2"	LGD15-3	13	38.10	38.10	55	17.48	17.48	55	50	9	M8	25	35	M8X65	18.66X3.53	1.00	350		
3/4"	LGD20-3	19	47.63	47.63	65	22.23	22.23	60	60	11	M10	30	40	M10X75	25.00X3.53	1.20	350		
3/4"-1/2"	LGD20-3/15-3	19/13	47.63	38.10	65	22.23	17.48	60	60	11	M8	30	40	M10X75	25.00X3.53	1.20	350		
1"	LGD25-3	25	52.37	52.37	72	26.19	26.19	65	65	11	M10	33	40	M10X80	32.92X3.53	1.90	315		
1"-3/4"	LGD25-3/20-3	25/19	52.37	47.63	70	26.19	22.23	65	65	11	M10	33	40	M10X80	32.92X3.53	1.90	315		
1 1/4"	LGD32-3	32	58.72	58.72	82	30.18	30.18	82	80	11.5	M10	39	38	M10X95	37.70X3.53	3.50	250		
1 1/4"-1"	LGD32-3/25-3	32/25	58.72	52.37	79	30.18	26.19	80	80	11.5	M10	39	38	M10X95	37.70X3.53	3.50	250		
1 1/2"	LGD40-3	38	69.85	69.85	98	35.71	35.71	92	92	13.5	M12	51	59	M12X110	47.22X3.53	5.00	200		
1 1/2"-1 1/4"	LGD40-3/32-3	38/32	69.85	58.72	93	35.71	30.18	92	92	13.5	M12	51	59	M12X110	47.22X3.53	5.00	200		
2"	LGD50-3	51	77.77	77.77	102	42.88	42.88	85	87	13.5	M12	51	48	M12X110	56.75X3.53	7.90	200		
2"-1 1/2"	LGD50-3/40-3	51/38	77.77	69.85	102	42.88	35.78	85	87	13.5	M12	51	48	M12X110	56.75X3.53	7.90	200		
2 1/2"	LGD65-3	63	88.90	88.90	115	50.80	50.80	110	120	13.5	M12	60	65	M12X140	69.45X3.53	8.60	160		
2 1/2"-2"	LGD65-3/50-3	63/51	88.90	77.77	115	50.80	42.88	100	120	13.5	M12	60	65	M12X140	69.45X3.53	8.60	160		
3"	LGD80-3	73	106.38	106.38	135	61.93	61.93	150	135	17.5	M16	67	90	M16X150	85.32X3.53	10.50	138		
3"-2 1/2"	LGD80-3/65-3	73/63	106.38	88.90	135	61.93	50.80	150	135	17.5	M16	67	90	M16X150	85.32X3.53	10.50	138		
	重系列 6000 psi																		
1/2"	LGD15-6	13	40.49	40.49	60	18.24	18.24	60	50	9	M8	25	40	M8X60	18.66X3.53	1.00	400		
3/4"	LGD20-6	19	50.80	50.80	72	23.80	23.80	60	55	11	M10	32	36	M11X70	25.00X3.53	1.00	400		
3/4"-1/2"	LGD20-6/15-6	19/13	50.80	40.49	71	23.80	18.24	60	55	11	M10	32	36	M10X70	25.00X3.53	1.40	400		
1"	LGD25-6	25	57.15	57.15	82	27.76	27.76	68	64	13	M12	37	40	M12X80	32.92X3.53	2.30	400		
1"-3/4"	LGD25-6/20-6	25/19	57.15	50.80	81	27.76	23.80	68	64	13	M12	37	40	M12X80	32.92X3.53	2.30	400		
1 1/4"	LGD32-6	32	66.68	66.68	96	31.75	31.75	76	72	15	M14	41	46	M14X90	37.70X3.53	3.30	400		
1 1/4"-1"	LGD32-6/25-6	32/25	66.68	57.15	95	31.75	27.76	76	72	15	M12	41	46	M14X90	37.70X3.53	3.30	400		
1 1/2"	LGD40-6	38	79.38	79.38	114	36.50	36.50	86	89	17	M16	50	52	M16X110	47.22X3.53	5.40	400		
1 1/2"-1 1/4"	LGD40-6/32-6	38/32	79.38	68.68	112	36.50	31.75	86	89	17	M14	50	52	M16X110	47.22X3.53	5.40	400		
2"	LGD50-6	51	96.82	96.82	134	44.45	44.45	107	107	21	M20	64	70	M20X140	56.75X3.53	9.00	400		
2"-1 1/2"	LGD50-6/40-6	51/38	96.82	79.38	134	44.45	36.50	107	107	21	M16	64	70	M20X140	56.75X3.53	9.00	400		
2 1/2"	LGD65-6	63	123.80	123.83	180	58.73	58.73	160	155	25	M24	78	90	M24X200	75.57X5.33	14.5	400		
2 1/2"-2"	LGD65-6/50-6	63/51	123.80	96.82	180	58.73	44.45	160	155	25	M24	78	90	M24X200	75.57X5.33	14.5	400		

SAE 法兰过渡片

SAE flange adapter sheet



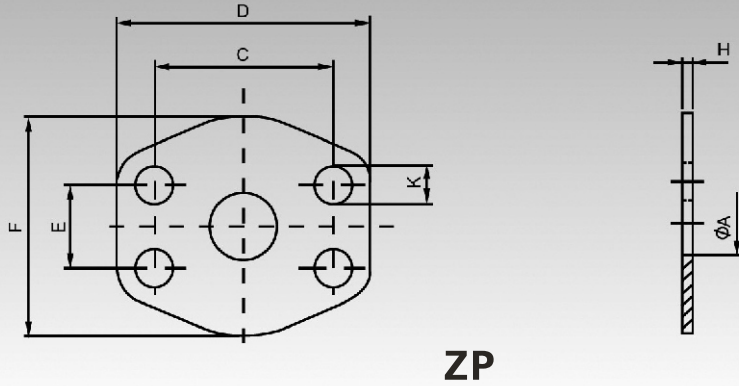
材料 (Material)

- 1、45#钢, C45 carbon steel
- 2、不锈钢AISI 304/316L

nominal flange size	产品型号 part No.	尺寸参数 dimension						单重 weight
		C	D	E	F	H	K	
	轻系列 3000 psi							kg
1/2"	AP 15-3	38.10	54	17.48	46	3	9	0.04
3/4"	AP 20-3	47.63	65	22.23	50	3	11	0.06
1"	AP 25-3	52.37	70	26.19	55	3	11	0.08
1 1/4"	AP 32-3	58.72	79	30.18	68	3	11	0.09
1 1/2"	AP 40-3	69.85	93	35.71	78	3	13	0.14
2"	AP 50-3	77.77	102	42.88	90	3	13	0.17
2 1/2"	AP 65-3	88.90	114	50.80	105	3	13	0.23
3"	AP 80-3	106.38	134	61.93	124	4	17	0.43
3 1/2"	AP 90-3	120.65	152	69.85	136	4	17	0.52
4"	AP 100-3	130.18	162	77.77	146	4	17	0.65
5"	AP 125-3	152.40	184	92.08	180	4	17	0.75
	重系列 6000 psi							
1/2"	AP 15-6	40.49	56	18.24	48	4	9	0.06
3/4"	AP 20-6	50.80	71	23.80	55	4	11	0.10
1"	AP 25-6	57.15	81	27.76	65	4	13	0.13
1 1/4"	AP 32-6	66.68	95	31.75	78	4	15	0.17
1 1/2"	AP 40-6	79.38	112	36.50	94	4	17	0.24
2"	AP 50-6	96.82	134	44.45	114	4	21	0.35

SAE 法兰过渡片

SAE flange adapter sheet

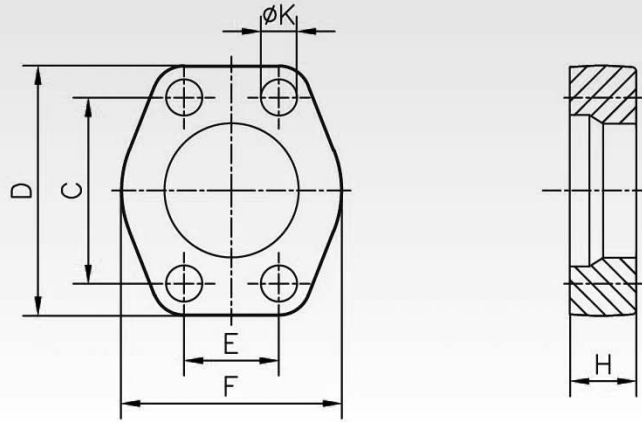


材料 (Material)

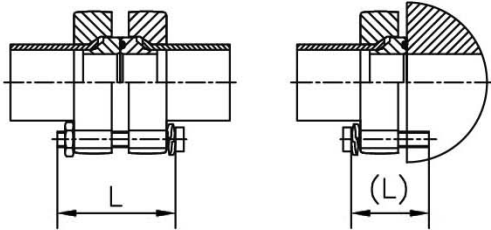
- 1、45#钢, C45 carbon steel
- 2、不锈钢AISI 304/316L

nominal flange size	产品型号 part No.	尺寸参数 dimension							单重 weight
		A	C	D	E	F	H	K	
	轻系列 3000 psi								kg
1/2"	ZP 15-3	13	38.10	54	17.48	46	3	9	0.04
3/4"	ZP 20-3	19	47.63	65	22.23	50	3	11	0.06
1"	ZP 25-3	25	52.37	70	26.19	55	3	11	0.08
1 1/4"	ZP 32-3	32	58.72	79	30.18	68	3	11	0.09
1 1/2"	ZP 40-3	38	69.85	93	35.71	78	3	13	0.14
2"	ZP 50-3	51	77.77	102	42.88	90	3	13	0.17
2 1/2"	ZP 65-3	63	88.90	114	50.80	105	3	13	0.23
3"	ZP 80-3	73	106.38	134	61.93	124	4	17	0.43
3 1/2"	ZP 90-3	89	120.65	152	69.85	136	4	17	0.52
4"	ZP 100-3	99	130.18	162	77.77	146	4	17	0.65
5"	ZP 125-3	120	152.40	184	92.08	180	4	17	0.75
	重系列 6000 psi								
1/2"	ZP 15-6	13	40.49	56	18.24	48	4	9	0.06
3/4"	ZP 20-6	19	50.80	71	23.80	55	4	11	0.10
1"	ZP 25-6	25	57.15	81	27.76	65	4	13	0.13
1 1/4"	ZP 32-6	32	66.68	95	31.75	78	4	15	0.17
1 1/2"	ZP 40-6	38	79.38	112	36.50	94	4	17	0.24
2"	ZP 50-6	51	96.82	134	44.45	114	4	21	0.35

扩口法兰 Flare flange



FF



双面法兰式

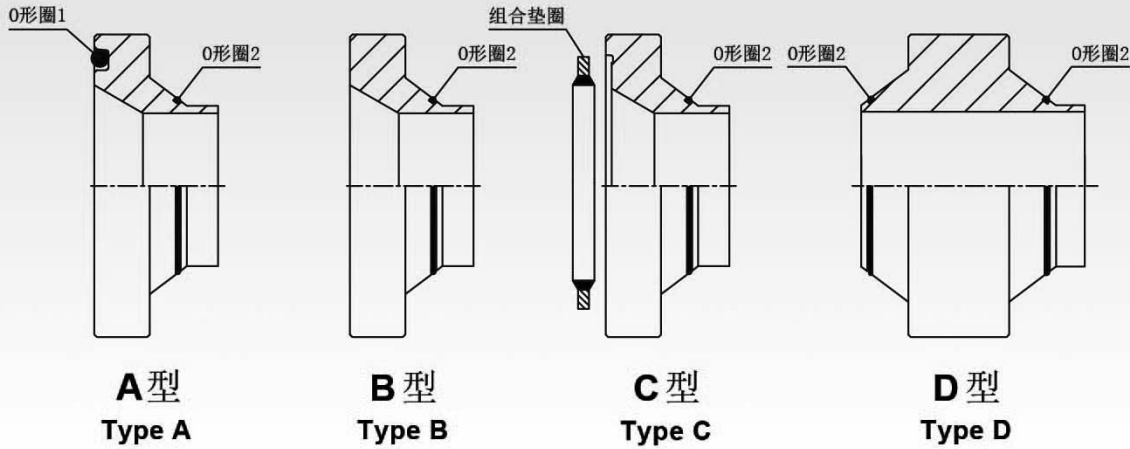
单面法兰式

材料 (Material)

- 1、45#钢, C45 carbon steel
- 2、不锈钢AISI 304/316L

规格 Size (inch)	型号 Type	尺寸参数 dimension						螺栓 bolt L (L)	单重 Wt (kg)	最大 工作压力 MAX.W.P (kg/cm ²)
		C	D	E	F	H	K			
轻系列 3000 psi										
1/2"	FF301	38.1	54	17.5	46	20	9	M8x60 (40)	0.17	350
3/4"	FF302	47.6	65	22.2	52	20	11	M10x60 (40)	0.23	350
1"	FF303	52.4	70	26.2	59	20	11	M10x60 (40)	0.27	350
1 1/4"	FF304	58.7	79	30.2	73	20	11	M10x70 (40)	0.39	280
1 1/2"	FF305	69.9	94	35.7	83	25	13.5	M12x80 (45)	0.65	280
2"	FF306	77.8	102	42.9	97	30	13.5	M12x80 (50)	0.98	280
2 1/2"	FF307	88.9	114	50.8	109	40	13.5	M12x110 (60)	1.49	210
3"	FF308	106.4	135	61.9	131	50	17.5	M16x130 (80)	2.52	210
重系列 6000 psi										
1/2"	FF601	40.5	56	18.2	48	22	9	M8x65 (40)	0.20	420
3/4"	FF602	50.8	71	23.8	60	23	11	M10x70 (40)	0.42	420
1"	FF603	57.2	81	27.8	70	25	13.5	M12x75 (45)	0.51	420
1 1/4"	FF604	66.7	95	31.7	78	30	15	M14x90 (50)	0.86	420
1 1/2"	FF605	79.4	113	36.5	95	33	17.5	M16x100 (60)	1.45	420
2"	FF606	96.8	133	44.5	114	38	21	M20x110 (70)	2.35	420

扩口法兰锥套组合 Flare flange cones

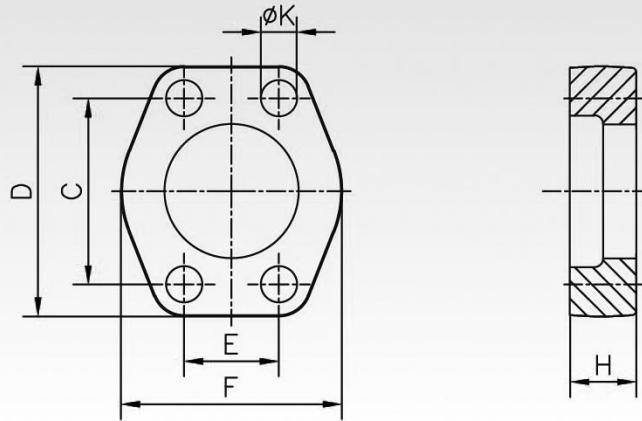


材料 (Material)

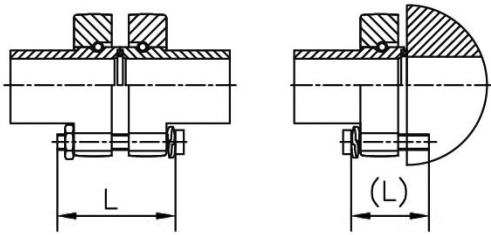
- 1、45#钢, C45 carbon steel
- 2、不锈钢AISI 304/316L

规格 Size (inch)	管径 Pipe Size	型号 Type				配用附件				
		A型 Type A	B型 Type B	C型 Type C	D型 Type D	法兰 Flange	衬套 Sleeve	O形圈1 o-ring	O形圈2 o-ring	组合垫圈 Bonded Seal
1/2"	16x2	08/16x2FA	08/16x2FB	08/16x2FC	08/16x2FD	FF301 或 FF601	08/16F	18.66x3.53	12x1.0	023
	18x2	08/18x2FA	08/18x2FB	08/18x2FC	08/18x2FD		08/18F		14x1.0	
	20x2	08/20x2FA	08/20x2FB	08/20x2FC	08/20x2FD		08/20F		16x1.0	
	25x2.5	08/25x2.5FA	08/25x2.5FB	08/25x2.5FC	08/25x2.5FD		None		20x1.0	
	25x3	08/25x3FA	08/25x3FB	08/25x3FC	08/25x3FD		None		20x1.0	
3/4"	20x2	12/20x2FA	12/20x2FB	12/20x2FC	12/20x2FD	FF302 或 FF602	12/20F	25.00x3.53	16x1.0	013
	20x2.5	12/20x2.5FA	12/20x2.5FB	12/20x2.5FC	12/20x2.5FD		12/20F		15x1.0	
	25x2.5	12/25x2.5FA	12/25x2.5FB	12/25x2.5FC	12/25x2.5FD		12/25F		20x1.0	
	25x3	12/25x3FA	12/25x3FB	12/25x3FC	12/25x3FD		12/25F		20x1.0	
	30x3	12/30x3FA	12/30x3FB	12/30x3FC	12/30x3FD		None		23x1.0	
1"	25x2.5	16/25x2.5FA	16/25x2.5FB	16/25x2.5FC	16/25x2.5FD	FF303 或 FF603	16/25F	32.92x3.53	20x1.0	027
	25x3	16/25x3FA	16/25x3FB	16/25x3FC	16/25x3FD		16/25F		20x1.0	
	30x3	16/30x3FA	16/30x3FB	16/30x3FC	16/30x3FD		16/30F		23x1.0	
	30x4	16/30x4FA	16/30x4FB	16/30x4FC	16/30x4FD		16/30F		22x1.0	
	38x4	16/38x4FA	16/38x4FB	16/38x4FC	16/38x4FD		None		30x1.0	
1 1/4"	30x3	20/30x3FA	20/30x3FB	20/30x3FC	20/30x3FD	FF304 或 FF604	20/30F	37.70x3.53	23x1.0	030
	30x4	20/30x4FA	20/30x4FB	20/30x4FC	20/30x4FD		20/30F		22x1.0	
	38x4	20/38x4FA	20/38x4FB	20/38x4FC	20/38x4FD		20/38F		30x1.0	
	38x5	20/38x5FA	20/38x5FB	20/38x5FC	20/38x5FD		20/38F		28x1.0	
	42x4	20/42x4FA	20/42x4FB	20/42x4FC	20/42x4FD		None		34x1.0	
1 1/2"	30x3	24/30x3FA	24/30x3FB	24/30x3FC	24/30x3FD	FF305 或 FF605	24/30F	47.22x3.53	23x1.0	032
	38x4	24/38x4FA	24/38x4FB	24/38x4FC	24/38x4FD		24/38F		30x1.0	
	42x4	24/42x4FA	24/42x4FB	24/42x4FC	24/42x4FD		24/42F		34x1.0	
	50x5	24/50x5FA	24/50x5FB	24/50x5FC	24/50x5FD		None		41x1.78	
2"	50x5	32/50x5FA	32/50x5FB	32/50x5FC	32/50x5FD	FF306 或 FF605	32/50F	56.75x3.53	41x1.78	019
	60x5	32/60x5FA	32/60x5FB	32/60x5FC	32/60x5FD		None		50.52x1.78	
	60x6	32/60x6FA	32/60x6FB	32/60x6FC	32/60x6FD		None		47.37x1.78	
2 1/2"	60x5	40/60x5FA	40/60x5FB	40/60x5FC	40/60x5FD	FF307	40/60F	69.45x3.53	50.52x1.78	036
	72x7	40/72x7FA	40/72x7FB	40/72x7FC	40/72x7FD		None		56.87x1.78	
	75x5	40/75x5FA	40/75x5FB	40/75x5FC	40/75x5FD		None		63.22x1.78	
3"	75x5	48/75x5FA	48/75x5FB	48/75x5FC	48/75x5FD	FF308	48/75F	85.32x3.53	63.22x1.78	039
	90x5	48/90x5FA	48/90x5FB	48/90x5FC	48/90x5FD		None		79x1.78	

保持环式法兰 Retain ring flanges



RF



双面法兰式

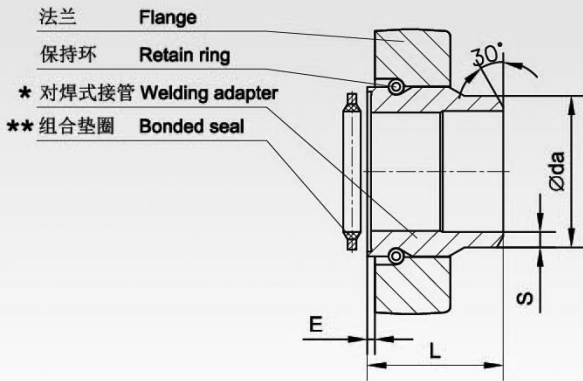
单面法兰式

材料 (Material)

- 1、45#钢, C45 carbon steel
- 2、不锈钢AISI 304/316L

规格 Size (inch)	型号 Type	尺寸参数 dimension						螺栓 bolt L (L)	单重 Wt (kg)	最大 工作压力 MAX.W.P (kg/cm ²)
		C	D	E	F	H	K			
轻系列 3000 psi										
1/2"	RF301	38.1	54	17.5	46	20	9	M8x60 (40)	0.17	350
3/4"	RF302	47.6	65	22.2	52	20	11	M10x60 (40)	0.21	350
1"	RF303	52.4	70	26.2	59	20	11	M10x60 (40)	0.27	350
1 1/4"	RF304	58.7	79	30.2	73	20	11	M10x70 (40)	0.38	280
1 1/2"	RF305	69.9	94	35.7	83	25	13.5	M12x80 (45)	0.63	280
2"	RF306	77.8	102	42.9	97	30	13.5	M12x80 (50)	0.94	280
2 1/2"	RF307	88.9	114	50.8	109	40	13.5	M12x110 (60)	1.51	210
3"	RF308	106.4	135	61.9	131	50	17.5	M16x130 (80)	2.29	210
重系列 6000 psi										
1/2"	RF601	40.5	56	18.2	48	22	9	M8x60 (40)	0.20	420
3/4"	RF602	50.8	71	23.8	60	23	11	M10x70 (40)	0.38	420
1"	RF603	57.2	81	27.8	70	25	13.5	M12x70 (45)	0.50	420
1 1/4"	RF604	66.7	95	31.7	78	30	15	M14x90 (50)	0.87	420
1 1/2"	RF605	79.4	113	36.5	95	33	17.5	M16x100 (60)	1.40	420
2"	RF606	96.8	133	44.5	114	38	21	M20x110 (70)	2.18	420

保持环式法兰接管 Retain ring flange adapter



对焊式法兰焊管式
butt welding adapter

注: *接管可提供沉插式焊管及内外螺纹式法兰接管;
**端面可做成O形圈型式密封。
(具体可向销售人员咨询)

Remark: * Socket welding adapter and male and female thread adapters also could be supplied.
** O-ring seal also could be supplied.
(Please contact with our people for detail)

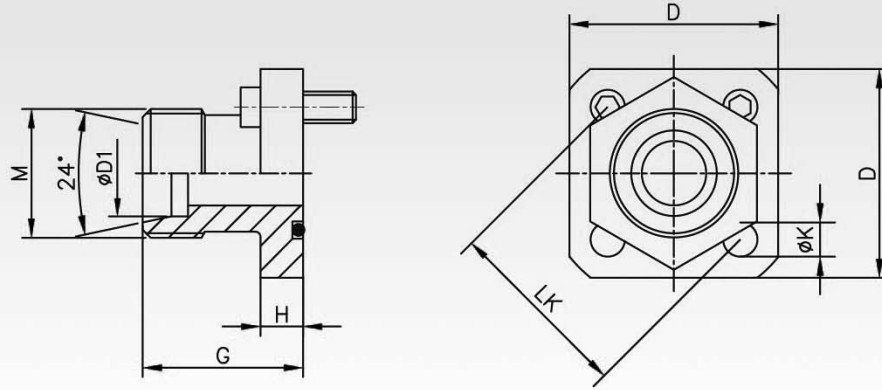
RFA

材料 (Material)

- 1、45#钢, C45 carbon steel
- 2、不锈钢AISI 304/316L

规格 Size (inch)	型号 Type	管径 (daxs) Pipe Size	尺寸参数 dimension		配件附件		
			L	E	法兰 Flange	保持环 Retain Ring	组合垫圈 Bonded Seal
1/2"	RFA301	12x1.5, 16x2, 18x2, 20x2.5 21.3x2.1, 21.3x2.8, 21.3x3.7 21.3x4.8, 25x2.5	40	3	RF301 或 RF601	RFR-08	023
		21.3x7.5, 26x6	45				
3/4"	RFA302	20x2.5, 25x3, 26.7x2.1, 26.7x2.8 26.7x3.9, 26.7x5.6, 30x3 30x4, 30x6	40	3	RF302 或 RF602	RFR-12	013
		26.7x7.8, 36x8	45				
1"	RFA303	25x3, 30x4, 33.4x2.8, 33.4x3.4 33.4x4.6, 38x4, 38x5, 38x7	40	2	RF303 或 RF603	RFR-16	027
		33.4x6.5, 33.4x9.1, 39x7.5	50				
1 1/4"	RFA304	30x4, 38x5, 42x4, 42x6, 42.2x2.7 42.2x3.6, 42.2x4.9	40	3	RF304 或 RF604	RFR-20	030
		42.2x6.4, 42.2x9.7, 46x7	50				
		46x8	55				
1 1/2"	RFA305	38x5, 48.3x2.8, 48.3x3.7, 48.3x5.1 50x5, 50x6, 50x9	45	3	RF305 或 RF605	RFR-24	032
		48.3x7.1, 48.3x10.2, 56x8.5	60				
2"	RFA306	48.3x5.6, 50x9, 60x5, 60x6, 60x8 60x10, 60.3x2.8, 60.3x3.9, 60.3x5.5	50	3	RF306 或 RF606	RFR-32	019
		60.3x8.7, 60.3x11.1, 66x8.5	75				
2 1/2"	RFA307	65x8.5, 73x7, 75x5, 76.1x6.3 76.1x12.5	50	3	RF307	RFR-40	036
		80x10	90				
3"	RFA308	76.1x12.5, 80x10, 88.9x3.1, 88.9x5.5 88.9x7.6, 88.9x8.8, 88.9x12.5 90x5	60	6	RF308	RFR-48	039
		88.9x11.1, 88.9x15.2, 97x12	110				

泵油口法兰--公制外螺纹24° 内锥式
 Pump flange connection with male metric thread & 24° inner cone



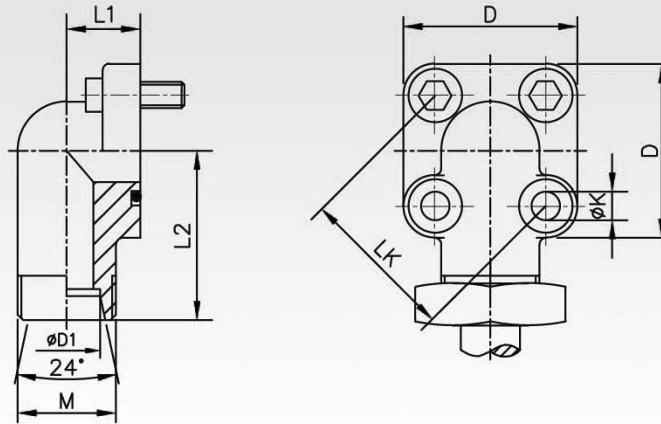
GF--LK--

材料 (Material)

- 1、45#钢, C45 carbon steel
- 2、不锈钢AISI 304/316L

型号 Type	尺寸参数 dimension							配件附件		最大 工作压力 MAX.W.P (Kg/cm ²)
	ØD1	D	H	K	LK	G	M	螺栓 bolt	O形圈 o-ring	
GF30LK-L10	L10	36	8	6.5	30	30	M16x1.5	M6x22	17x2.5	315
GF30LK-L12	L12	36	8	6.5	30	30	M18x1.5	M6x22	17x2.5	315
GF35LK-L10	L10	39	8	6.5	35	30	M16x1.5	M6x22	20x2.5	315
GF35LK-L12	L12	39	8	6.5	35	30	M18x1.5	M6x22	20x2.5	315
GF35LK-L15	L15	39	8	6.5	35	30	M22x1.5	M6x22	20x2.5	250
GF35LK-L18	L18	39	8	6.5	35	30	M26x1.5	M6x22	20x2.5	250
GF35LK-S16	S16	39	8	6.5	35	30	M24x1.5	M6x22	20x2.5	315
GF35LK-S20	S20	39	8	6.5	35	56	M30x2	M6x22	20x2.5	315
GF40LK-L15	L15	42	8	6.5	40	35	M22x1.5	M6x22	26x2.5	100
GF40LK-L18	L18	42	8	6.5	40	35	M26x1.5	M6x22	26x2.5	100
GF40LK-L22	L22	42	8	6.5	40	35	M30x2	M6x22	26x2.5	100
GF40LK-L28	L28	42	8	6.5	40	42	M36x2	M6x22	26x2.5	100
GF40LK-L35	L35	42	8	6.5	40	62	M45x2	M6x22	26x2.5	100
GF55LK-L28	L28	55	12	8.5	55	40	M36x2	M8x25	33x2.5	100
GF55LK-L35	L35	55	12	8.5	55	50	M45x2	M8x25	33x2.5	100
GF55LK-L42	L42	55	12	8.5	55	52	M52x2	M8x25	33x2.5	100
GF55LK-S20	S20	55	12	8.5	55	40	M30x2	M8x25	33x2.5	250
GF55LK-S25	S25	55	12	8.5	55	50	M36x2	M8x25	33x2.5	250
GF55LK-S30	S30	55	12	8.5	55	50	M42x2	M8x25	33x2.5	250

泵油口法兰--公制外螺纹24° 内锥式 (90° 弯)
 Pump flange connection 90° with male metric thread & 24° inner cone



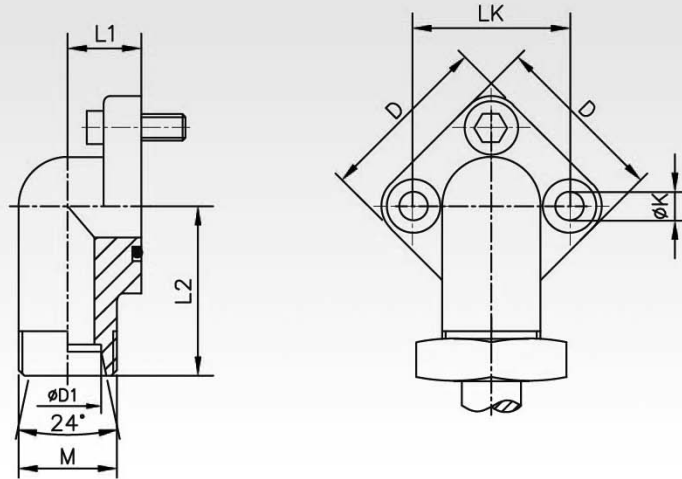
WF--LK--

材料 (Material)

- 1、45#钢, C45 carbon steel
- 2、不锈钢AISI 304/316L

型号 Type	尺寸参数 dimension							配件附件		最大 工作压力 MAX.W.P (Kg/cm ²)
	∅D1	D	K	LK	L1	L2	M	螺栓 bolt	O形圈 o-ring	
WF35LK-L10	L10	39	6.5	35	16.5	38	M16x1.5	M6x22/M6x35	20x2.5	315
WF35LK-L12	L12	39	6.5	35	16.5	38	M18x1.5	M6x22/M6x35	20x2.5	315
WF35LK-L15	L15	39	6.5	35	16.5	38	M22x1.5	M6x22/M6x35	20x2.5	250
WF35LK-L18	L18	39	6.5	35	20.5	38	M26x1.5	M6x22/M6x40	20x2.5	250
WF35LK-S16	S16	39	6.5	35	20	38	M24x1.5	M6x22/M6x40	20x2.5	315
WF35LK-S20	S20	39	6.5	35	25	45	M30x2	M6x22/M6x45	20x2.5	315
WF40LK-L15	L15	42	6.5	40	22.5	38	M22x1.5	M6x22/M6x45	26x2.5	100
WF40LK-L18	L18	42	6.5	40	22.5	38	M26x1.5	M6x22/M6x45	26x2.5	100
WF40LK-L22	L22	42	6.5	40	22.5	38	M30x2	M6x22/M6x45	26x2.5	100
WF40LK-L28	L28	42	6.5	40	28	40	M36x2	M6x22/M6x50	26x2.5	100
WF40LK-L35	L35	42	6.5	40	34	41	M45x2	M6x22/M6x60	26x2.5	100
WF40LK-S20	S20	42	6.5	40	22.5	40	M30x2	M6x25/M6x45	26x2.5	250
WF55LK-L35	L35	58	8.5	55	32	49	M45x2	M8x25/M8x60	33x2.5	100
WF55LK-L42	L42	58	8.5	55	40	49	M52x2	M8x25/M8x70	33x2.5	100
WF55LK-S20	S20	58	8.5	55	30	45	M30x2	M8x25/M8x55	33x2.5	250
WF55LK-S25	S25	58	8.5	55	30	49	M36x2	M8x25/M8x55	33x2.5	250
WF55LK-S30	S30	58	8.5	55	32	49	M42x2	M8x25/M8x55	33x2.5	250

泵油口法兰--3孔公制外螺纹24° 内锥式 (90° 弯)
 Pump flange 3-holes connection 90° with male metric thread & 24° inner cone



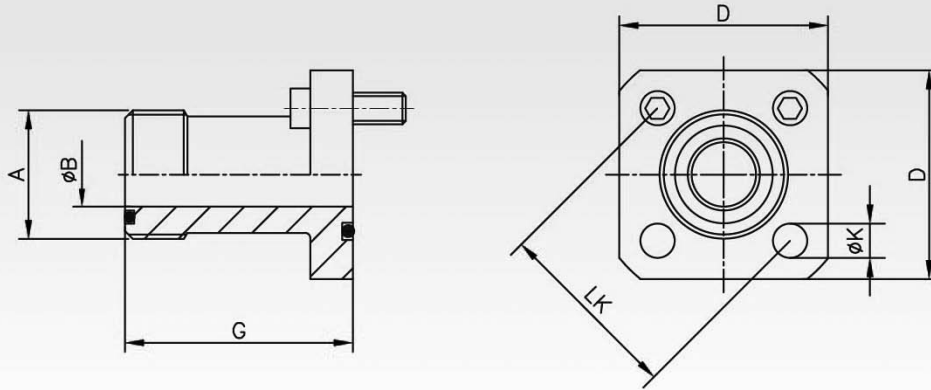
3WF--LK--

材料 (Material)

- 1、45#钢, C45 carbon steel
- 2、不锈钢AISI 304/316L

型号 Type	尺寸参数 dimension							配用附件		最大 工作压力 MAX.W.P (Kg/cm ²)
	ØD1	D	K	LK	L1	L2	M	螺栓 bolt	O形圈 o-ring	
3WF30LK-L12	L12	38	6.5	30	19	37	M18x1.5	M6x25	17x2.5	250
3WF30LK-L15	L15	38	6.5	30	19	37	M22x1.5	M6x25	17x2.5	250
3WF40LK-L22	L22	48	8.5	40	25	45	M30x2	M8x30	24x2.5	160
3WF40LK-L28	L28	48	8.5	40	25	45	M36x2	M8x30	24x2.5	160

泵油口法兰--美制外螺纹端面密封式
 Pump flange connection with male UN thread & ORFS



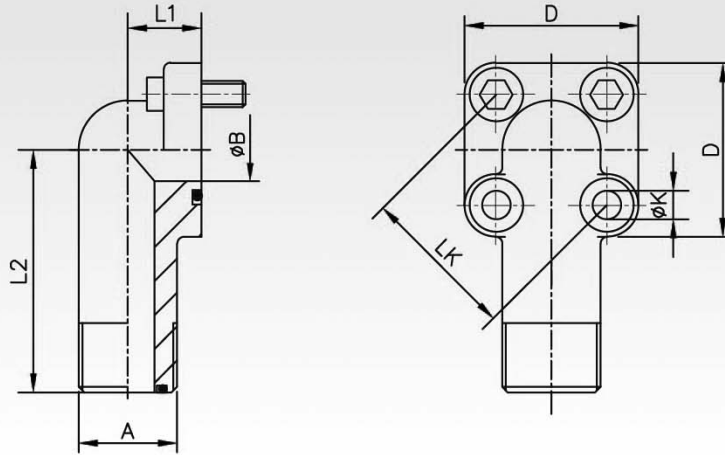
GF--LK--UN

材料 (Material)

- 1、45#钢, C45 carbon steel
- 2、不锈钢AISI 304/316L

型号 Type	尺寸参数 dimension						配件附件			最大 工作压力 MAX.W.P (Kg/cm ²)
	A	B	D	G	LK	K	螺栓 bolt	O形圈1 o-ring	O形圈2 o-ring	
GF35LK-1 ³ / ₁₆ "-16	1 ³ / ₁₆ "-16UN	9.5	40	50	35	7	4xM6x25	20x2.5	12.42x1.78	210
GF40LK-1 ³ / ₁₆ "-12	1 ³ / ₁₆ "-12UN	15	45	65	40	7	4xM6x25	24x2.5	18.77x1.78	210
GF40LK-1 ⁷ / ₁₆ "-12	1 ⁷ / ₁₆ "-12UN	20.6/16	45	65	40	7	4xM6x25	24x2.5	23.52x1.78	210

泵油口法兰--美制外螺纹端面密封式 (90° 弯)
 Pump flange connection 90° with male UN thread & ORFS



WF--LK--UN

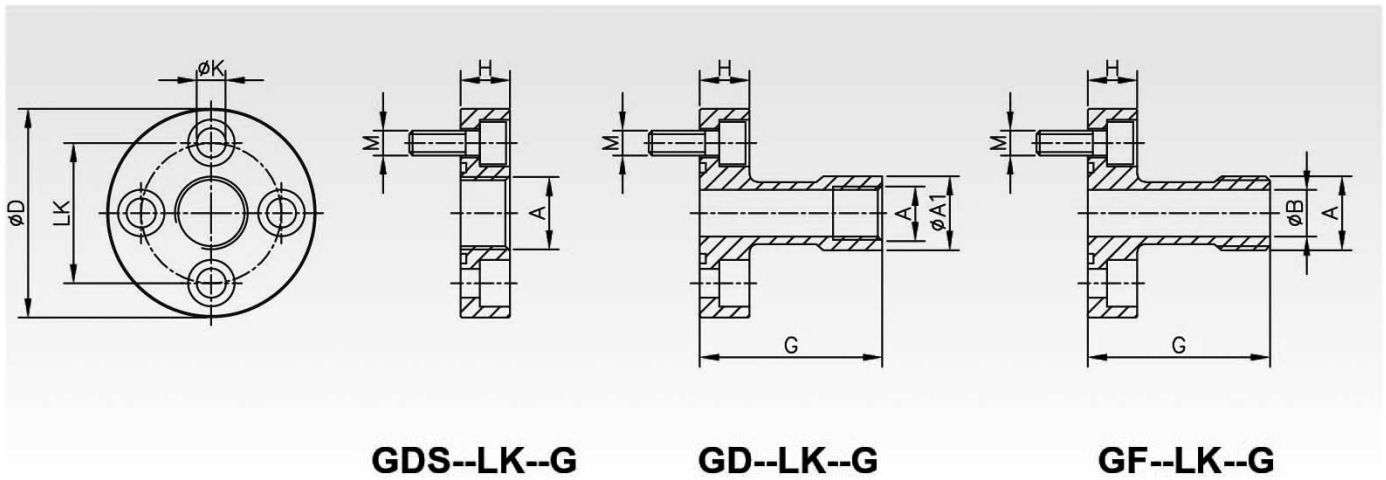
材料 (Material)

- 1、45#钢, C45 carbon steel
- 2、不锈钢AISI 304/316L

型号 Type	尺寸参数 dimension							配用附件			最大 工作压力 MAX.W.P (Kg/cm ²)
	A	B	D	L1	L2	LK	K	螺栓 bolt	O形圈1 o-ring	O形圈2 o-ring	
WF30LK-1 ¹ / ₁₆	1 ¹ / ₁₆ "-16UN	6.5	30	15	30	30	5.5	M5x20/M5x25	15x2.5	9.25x1.78	210
WF30LK-1 ³ / ₁₆	1 ³ / ₁₆ "-16UN	9.5	30	15	30	30	6.5	M6x20/M6x25	15x2.5	12.42x1.78	210
WF35LK-1 ³ / ₁₆	1 ³ / ₁₆ "-16UN	9.5	40	20	55	35	6.5	M6x20/M6x30	18x2.5	12.42x1.78	210
WF40LK-1	1"-14UNS	15	45	24	60	40	6.5	M6x20/M6x35	24x2.5	15.6x1.78	210
WF40LK-1 ⁷ / ₁₆	1 ⁷ / ₁₆ "-12UN	20	42	28	40	40	6.5	M6x20/M6x50	26x2.5	23.52x1.78	210
WF55LK-1 ¹ / ₁₆	1 ¹ / ₁₆ "-12UN	26	58	32	49	55	8.5	M8x22/M8x50	32x2.5	29.87x1.78	210

泵油口法兰--英制内外管螺纹式

Pump flange connection with male or female BSPP thread

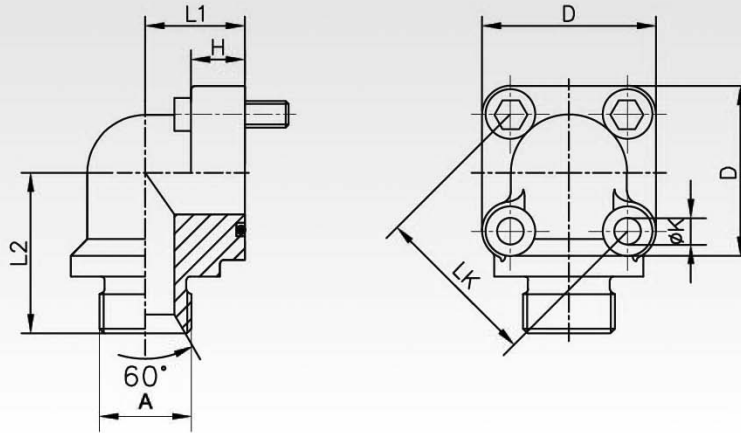


材料 (Material)

- 1、45#钢, C45 carbon steel
- 2、不锈钢AISI 304/316L

型号 Type	尺寸参数 dimension								配件附件		最大 工作压力 MAX.W.P (Kg/cm ²)
	A	A1	B	D	G	LK	H	K	螺栓 bolt	O形圈 o-ring	
GDS30LK-G3/8	G3/8"	-	-	45	-	30	11.5	6.5	4xM6x16	18.77x1.78	250
GD30LK-G3/8	G3/8"	21	-	45	55	30	10	6.5	4xM6x20	18.77x1.78	250
GF30LK-G1/2	G1/2"	-	14	45	55	30	10	6.5	4xM6x20	18.77x1.78	250
GDS40LK-G1/2	G1/2"	-	-	58	-	40	14	8.5	4xM8x20	25.12x1.78	250
GD40LK-G1/2	G1/2"	26.5	-	58	60	40	12	8.5	4xM8x25	25.12x1.78	250
GF40LK-G3/4	G3/4"	-	19	58	60	40	12	8.5	4xM8x25	25.12x1.78	250
GDS51LK-G3/4	G3/4"	-	-	76	-	51	16	10.5	4xM10x25	31.42x2.62	250
GD51LK-G3/4	G3/4"	33.5	-	76	72	51	16	10.5	4xM10x30	31.42x2.62	250
GF51LK-G1	G1"	-	24	76	72	51	16	10.5	4xM10x30	31.42x2.62	250
GDS56LK-G3/4	G3/4"	-	-	76	-	56	16	10.5	4xM10x25	31.42x2.62	250
GD56LK-G3/4	G3/4"	33.5	-	76	72	56	16	10.5	4xM10x30	31.42x2.62	250
GF56LK-G1	G1"	-	24	76	72	56	16	10.5	4xM10x30	31.42x2.62	250
GDS62LK-G1	G1"	-	-	88	-	62	20	10.5	4xM10x25	37.70x3.53	180
GDS62LK-G1-12	G1"	-	-	88	-	62	20	12.5	4xM12x25	37.70x3.53	180
GDS72.5LK-G11/4	G1 1/4"	-	-	98	-	72.5	20	12.5	4xM12x30	47.22x3.53	180

泵油口法兰--英制外管螺纹60° 内锥式 (90° 弯)
 Pump flange connection 90° with male BSPP thread & 60° inner cone



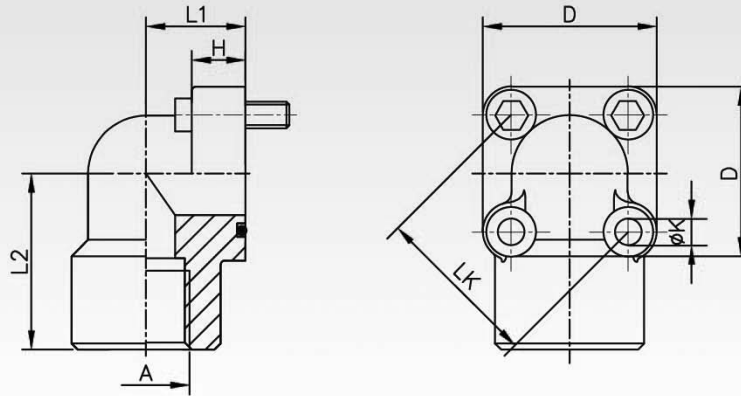
WF--LK--G--

材料 (Material)

- 1、45#钢, C45 carbon steel
- 2、不锈钢AISI 304/316L

型号 Type	尺寸参数 dimension							配用附件		最大 工作压力 MAX.W.P (Kg/cm ²)
	A	D	H	K	LK	L1	L2	螺栓 bolt	O形圈 o-ring	
WF35LK-G3/8	G3/8"	39	11.5	6.5	35	18	40	M6x25/M6x40	20x2.5	315
WF35LK-G1/2	G1/2"	39	11.5	6.5	35	18	40	M6x25/M6x40	20x2.5	315
WF35LK-G3/4	G3/4"	39	11.5	6.5	35	18	40	M6x25/M6x40	20x2.5	315
WF40LK-G3/8	G3/8"	42	13	6.5	40	24	42.5	M6x25/M6x45	26x2.5	250
WF40LK-G1/2	G1/2"	42	13	6.5	40	24	42.5	M6x25/M6x45	26x2.5	250
WF40LK-G3/4	G3/4"	42	13	6.5	40	24	42.5	M6x25/M6x45	26x2.5	250
WF40LK-G1	G1"	42	13	6.5	40	24	42.5	M6x25/M6x45	26x2.5	250
WF55LK-G1/2	G1/2"	58	13	8.5	55	40	59	M8x25/M8x60	33x2.5	250
WF55LK-G3/4	G3/4"	58	13	8.5	55	40	59	M8x25/M8x60	33x2.5	250
WF55LK-G1	G1"	58	13	8.5	55	40	59	M8x25/M8x60	33x2.5	250

泵油口法兰--英制内管螺纹式 (90° 弯)
 Pump flange connection 90° with female BSPP thread



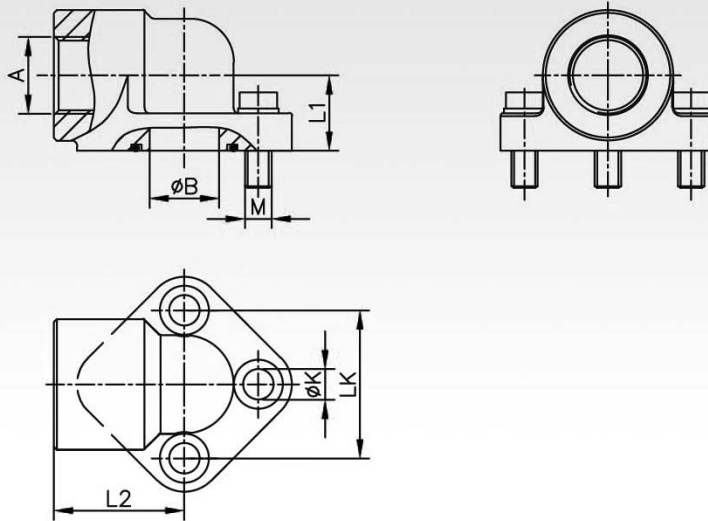
WDS--LK--G--

材料 (Material)

- 1、45#钢, C45 carbon steel
- 2、不锈钢 AISI 304/316L

型号 Type	尺寸参数 dimension							配用附件		最大 工作压力 MAX.W.P (Kg/cm ²)
	A	D	H	K	LK	L1	L2	螺栓 bolt	O形圈 o-ring	
WDS35LK-G3/8	G3/8"	39	11.5	6.5	35	18	40	M6x25/M6x40	20x2.5	315
WDS35LK-G1/2	G1/2"	39	11.5	6.5	35	18	40	M6x25/M6x40	20x2.5	315
WDS40LK-G3/8	G3/8"	42	13	6.5	40	24	42.5	M6x25/M6x45	26x2.5	250
WDS40LK-G1/2	G1/2"	42	13	6.5	40	24	42.5	M6x25/M6x45	26x2.5	250
WDS40LK-G3/4	G3/4"	42	13	6.5	40	24	42.5	M6x25/M6x45	26x2.5	250
WDS55LK-G1/2	G1/2"	58	13	8.5	55	40	59	M8x25/M8x70	33x2.5	250
WDS55LK-G3/4	G3/4"	58	13	8.5	55	40	59	M8x25/M8x70	33x2.5	250
WDS55LK-G1	G1"	58	13	8.5	55	40	59	M8x25/M8x70	33x2.5	250
WDS55LK-G1 1/4	G1 1/4"	58	13	8.5	55	40	59	M8x25/M8x70	33x2.5	250

泵油口法兰--3孔英制内管螺纹式 (90° 弯)
 Pump flange 3-holes connection 90° with female BSPP thread



3WDS--LK--G--

材料 (Material)

- 1、45#钢, C45 carbon steel
- 2、不锈钢AISI 304/316L

型号 Type	尺寸参数 dimension						配用附件		最大 工作压力 MAX.W.P (Kg/cm ²)
	A	B	K	LK	L1	L2	螺栓 bolt	O形圈 o-ring	
3WDS26LK-G3/8	G3/8"	10	5.5	26	17	24	M5x20	14x1.78	315
3WDS26LK-G1/2	G1/2"	10	5.5	26	17	24	M5x20	14x1.78	315
3WDS30LK-G3/8	G3/8"	12	6.5	30	17	24	M6x20	15.54x2.62	315
3WDS30LK-G1/2	G1/2"	12	6.5	30	17	24	M6x20	15.54x2.62	315
3WDS40LK-G1/2	G1/2"	19	8.5	40	21	36	M8x25	23.47x2.62	315
3WDS40LK-G3/4	G3/4"	19	8.5	40	21	36	M8x25	23.47x2.62	315
3WDS51LK-G3/4	G3/4"	26	10.5	51	26	45	M10x30	31.42x2.62	315
3WDS51LK-G1	G1"	26	10.5	51	26	45	M10x30	31.42x2.62	315
3WDS56LK-G3/4	G3/4"	26	10.5	56	26	45	M10x30	31.42x2.62	315
3WDS56LK-G1	G1"	26	10.5	56	26	45	M10x30	31.42x2.62	315



嘉禾精工锻铸有限公司
JIA HE SEIKO FORGING & CASTING CO.,LTD.

地址：中国湖南省嘉禾县塘村镇精工工业园

Add: Seiko Industrial, Tangcun Town, Jiahe County, Hunan, China

电话 /Tel: +86 735 6773999

传真/Fax: +86 735 6771566

网址 /Website: [Http://www.jhseiko.com](http://www.jhseiko.com)

邮箱/E-mail: jhseiko@163.com